

FPA16-2.2L/1305

COBHAM

Directional Antenna

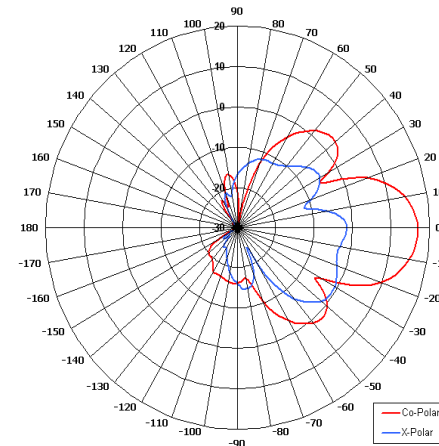
The most important thing we build is trust

Designed for Tactical Comms Applications

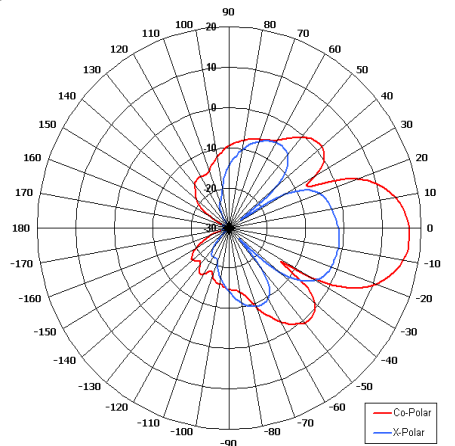
Left Hand Circular Polarised

Rugged

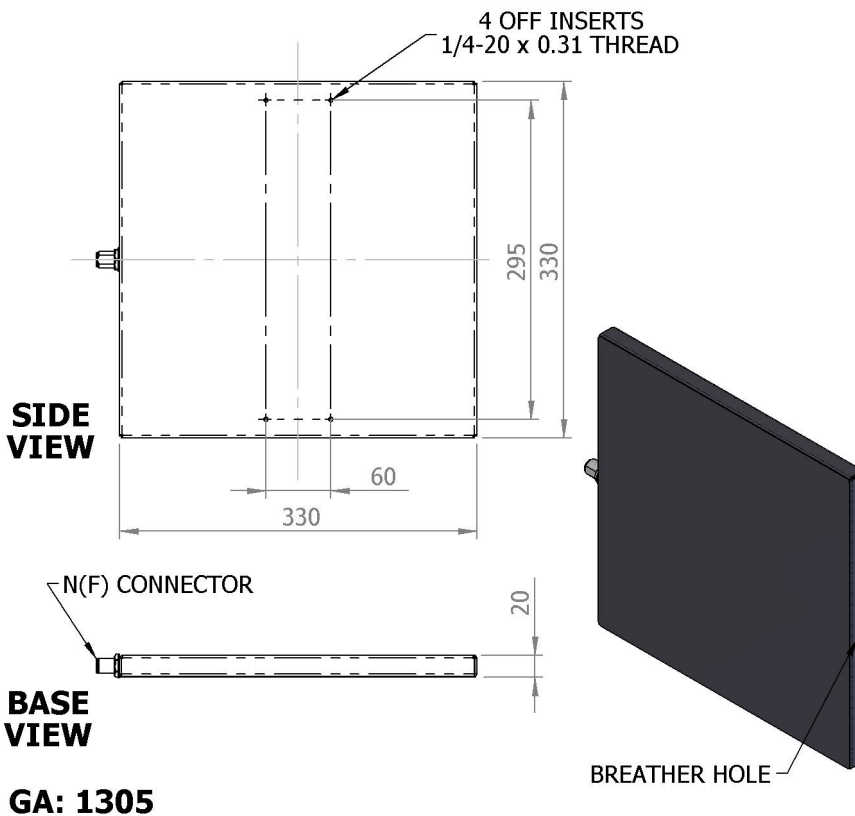
Low Profile



Azimuth Pattern



Elevation Pattern



ELECTRICAL

Frequency	2.10 - 2.30 GHz
Gain	16.8 dBIC Nom
Polarisation	Left Hand Circular
Beamwidth	24° (Az) x 25° (El) Approx
Axial Ratio	3 dB Typ
VSWR	2:1 Max, 1.5:1 Typ
Power Rating	25 W
Front to Back	>45 dB

MECHANICAL

Standard Finish	Matt Black
Mass	1.0 Kg (2.2 lbs)
Temperature	-40° to +71°C
Wind Loading	18 Kg (39lbs) @ 100mph

MOUNTING OPTIONS

Kits Available	N/A
See separate data sheets	

ADDITIONAL NOTES

Issued 230910

European Antennas Limited trading as Cobham Antenna Systems, Microwave Antennas

European Antennas Limited has a policy of continuous development and stress that the information provided is a guide only and does not constitute an offer or contract or part thereof. Whilst every effort is made to ensure the accuracy of the information contained in this brochure, no responsibility can be accepted for any errors or omissions.

The copyright of antenna designs and images is copyright protected and owned by European Antennas Limited.
©European Antennas Limited

For further information please contact:

Cobham Antenna Systems, Microwave Antennas
Lambda House, Cheveley,
Newmarket, Suffolk CB8 9RG, UK.
Tel +44 (0)1638 732 177
Fax +44 (0) 1638 731999
Email newmarket.sales@cobham.com