

DLPA7-2.5-5.5DS/1315

COBHAM

Directional Antenna

The most important thing we build is trust

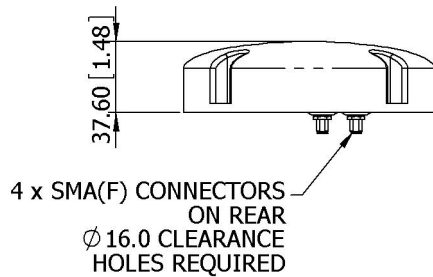
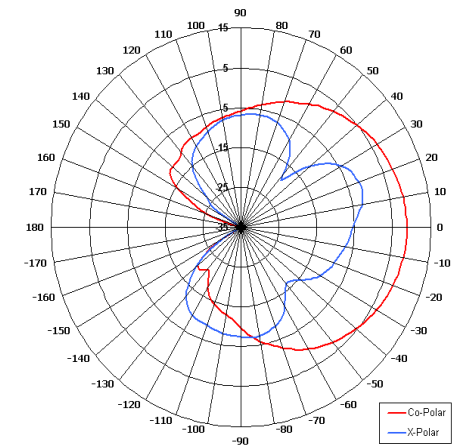
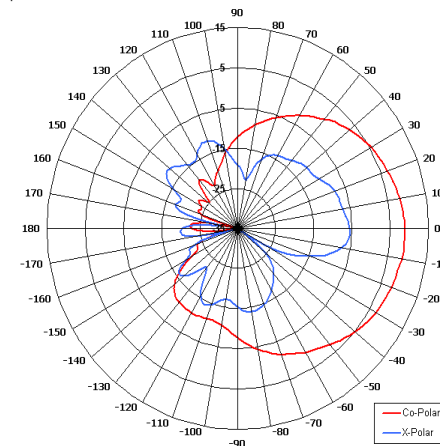
Designed for WLAN Applications

Dual Slant Polarisation

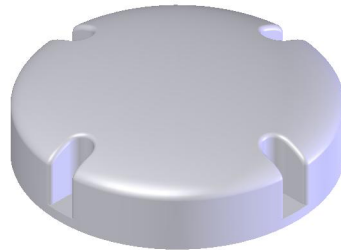
Dual Band

Aesthetic Design

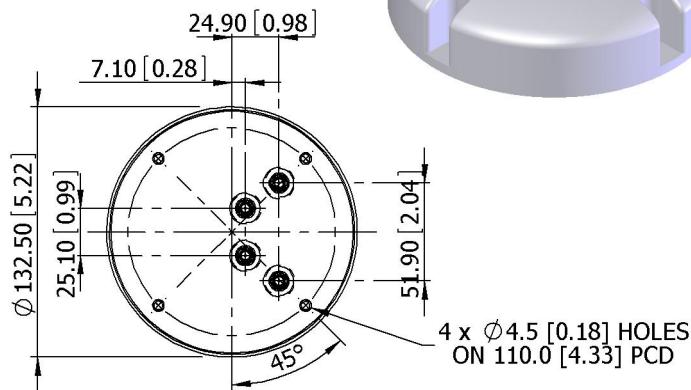
Suitable for Outdoor Applications



SIDE VIEW



BASE VIEW



GA: 1315

ELECTRICAL

Frequency	2.40 - 2.50 GHz (2.5 Ports) 5.15 - 5.85 GHz (5.5 Ports)
Gain	7 dBi Typ (Both Ports)
Polarisation	Dual Slant +/- 45°
Beamwidth	60° (Az) x 60° (El) (Both Ports)
Isolation	20 dB Typ
VSWR	1.5:1
Power Rating	10 W
Front to Back	30 dB Typ

MECHANICAL

Standard Finish	White
Mass	300 g (11 oz)
Temperature	-20° to +50°C

MOUNTING OPTIONS

Kits Available	N/A
See separate data sheets	

ADDITIONAL NOTES

Issued 150710

European Antennas Limited trading as Cobham Antenna Systems, Microwave Antennas

European Antennas Limited has a policy of continuous development and stress that the information provided is a guide only and does not constitute an offer or contract or part thereof. Whilst every effort is made to ensure the accuracy of the information contained in this brochure, no responsibility can be accepted for any errors or omissions.

The copyright of antenna designs and images is copyright protected and owned by European Antennas Limited.
©European Antennas Limited

For further information please contact:

Cobham Antenna Systems, Microwave Antennas
Lambda House, Cheveley,
Newmarket, Suffolk CB8 9RG, UK.
Tel +44 (0)1638 732 177
Fax +44 (0) 1638 731999
Email newmarket.sales@cobham.com