

# FPA20-47V/1323

**COBHAM**

## Directional Antenna

The most important thing we build is trust

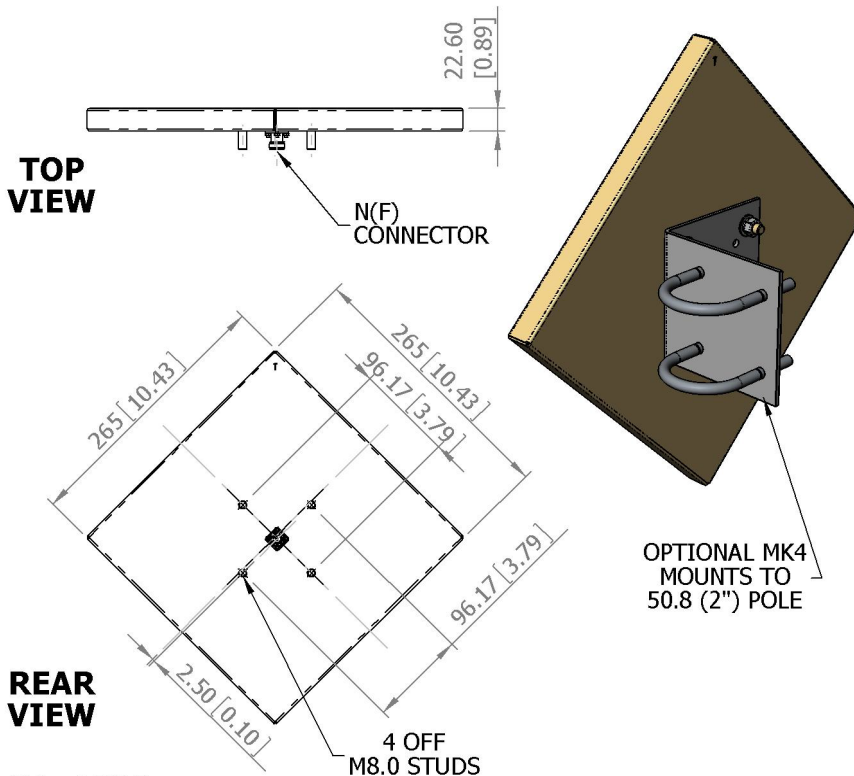
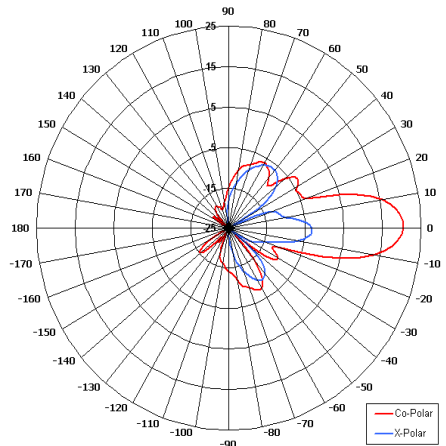
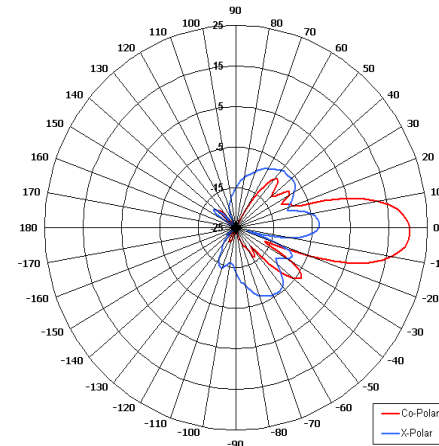
Designed for Military Applications

Suitable for Tactical Comms Applications

Vertical Polarisation

Low Profile

Colour Options



**GA: 1323**

### ELECTRICAL

Frequency	4.40 - 5.00 GHz
Gain	20 dBi Typ
Polarisation	Linear (Vertical)
Beamwidth	14° (Az) x 14° (El) Approx
Cross Polar	>25 dB Typ
VSWR	2:1 Max, 1.5:1 Typ
Power Rating	20 W
Front to Back	45 dB Min

### MECHANICAL

Standard Finish	Desert Tan
Mass	0.5 Kg (1.1 lbs) excl. Brackets
Temperature	-40° to +60°C
Wind Loading	11.4 Kg (25.1 lbs) @ 100mph

### MOUNTING OPTIONS

Kits Available	MK4
See separate data sheets	

### ADDITIONAL NOTES

Issued 021212

European Antennas Limited trading as Cobham Antenna Systems, Microwave Antennas

European Antennas Limited has a policy of continuous development and stress that the information provided is a guide only and does not constitute an offer or contract or part thereof. Whilst every effort is made to ensure the accuracy of the information contained in this brochure, no responsibility can be accepted for any errors or omissions.

The copyright of antenna designs and images is copyright protected and owned by European Antennas Limited.  
©European Antennas Limited

For further information please contact:

Cobham Antenna Systems, Microwave Antennas  
 Lambda House, Cheveley,  
 Newmarket, Suffolk CB8 9RG, UK.  
 Tel +44 (0)1638 732 177  
 Fax +44 (0) 1638 731999  
 Email newmarket.sales@cobham.com