

# LPA7-21R/1388

**COBHAM**

Directional Antenna

The most important thing we build is trust

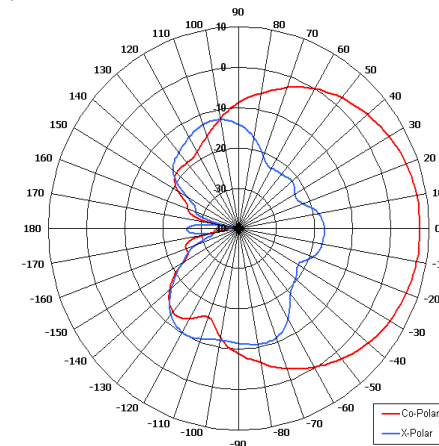
Designed for Security Applications

Suitable for Multiple Applications

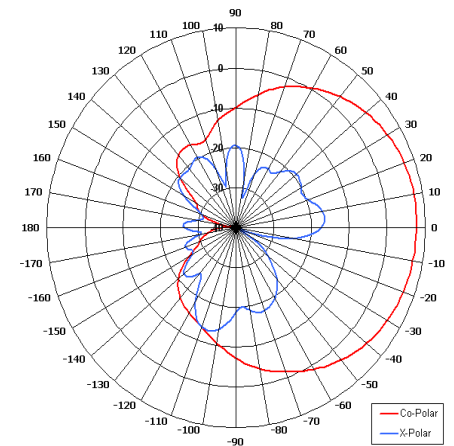
Low Profile

Right Hand Circular Polarised

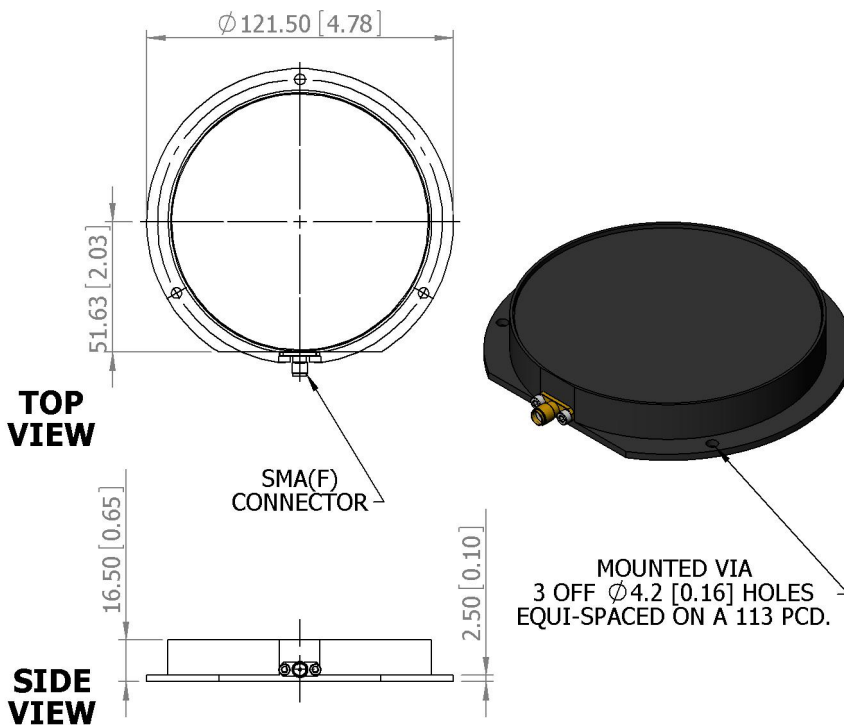
Connector Options



Azimuth Pattern



Elevation Pattern



**GA: 1388**

**ELECTRICAL**

Frequency	1.90 - 2.30 GHz
Gain	7.0 dBi Nom
Polarisation	Right Hand Circular
Beamwidth	75° (Az) x 75° (El) Approx
Cross Polar	3.0 dB Typ
VSWR	1.5:1 Typ, 2:1 Max
Power Rating	10 W
Front to Back	25 dB Typ

**MECHANICAL**

Standard Finish	Matt Black
Mass	180g (6.4 oz)
Temperature	-20° to +50°C
Wind Loading	1.88 Kg(4.14lbs) @ 100mph

**MOUNTING OPTIONS**

Kits Available	N/A
See separate data sheets	

**ADDITIONAL NOTES**

Issued 020910

European Antennas Limited trading as Cobham Antenna Systems, Microwave Antennas

European Antennas Limited has a policy of continuous development and stress that the information provided is a guide only and does not constitute an offer or contract or part thereof. Whilst every effort is made to ensure the accuracy of the information contained in this brochure, no responsibility can be accepted for any errors or omissions.

The copyright of antenna designs and images is copyright protected and owned by European Antennas Limited.  
©European Antennas Limited

For further information please contact:

Cobham Antenna Systems, Microwave Antennas  
Lambda House, Cheveley,  
Newmarket, Suffolk CB8 9RG, UK.  
Tel +44 (0)1638 732 177  
Fax +44 (0) 1638 731999  
Email newmarket.sales@cobham.com