

OA7-2.0V/1376

COBHAM

Omni Antenna

The most important thing we build is trust

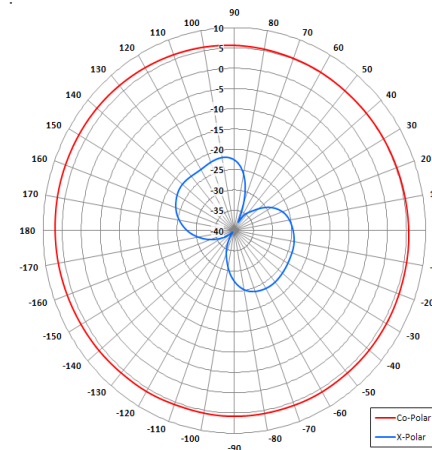
Designed for Cellular DAS Applications

Wide Band

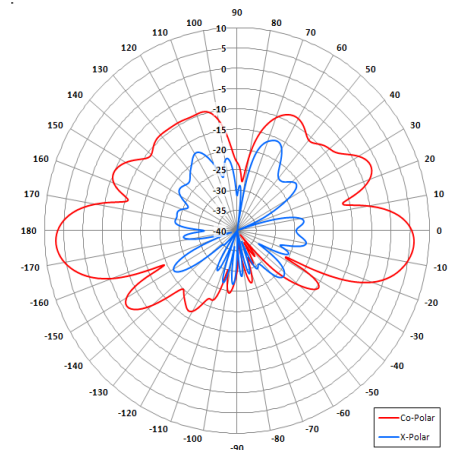
Vertical Polarisation

Rugged

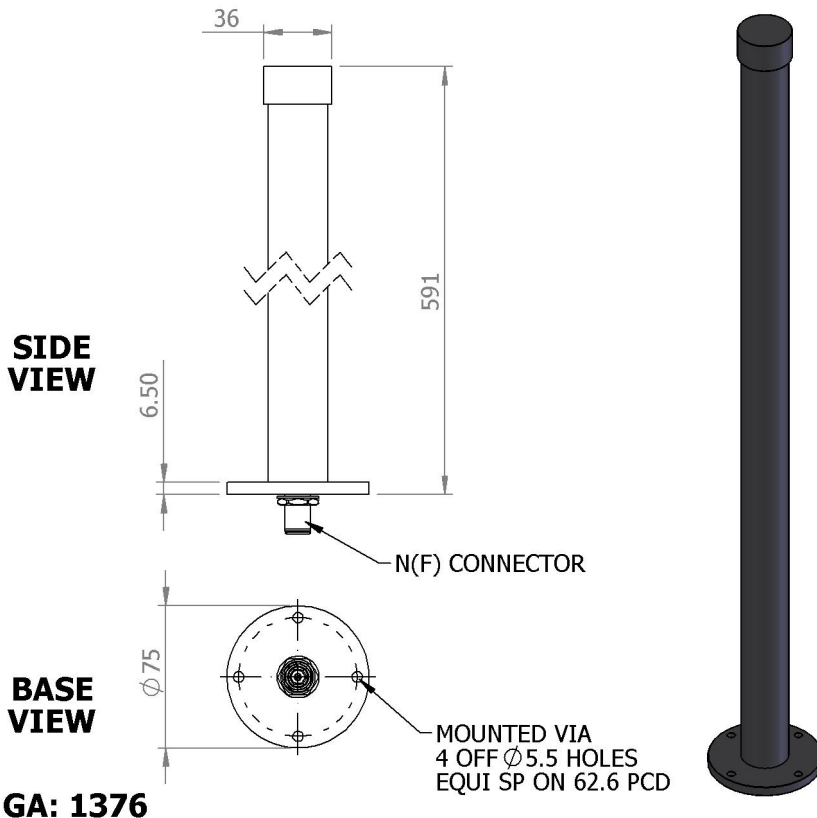
Suitable for Outdoor Applications



Azimuth Pattern



Elevation Pattern



ELECTRICAL

Frequency	1.92 - 2.17 GHz
Gain	6.3 dBi Nom
Polarisation	Linear (Vertical)
Beamwidth	360° (Az) x 21° (El) Approx
Cross Polar	>20 dB Typ
VSWR	2:1 Max, 1.5:1 Typ
Power Rating	50 W
Front to Back	N/A

MECHANICAL

Standard Finish	Matt Black
Mass	0.32 Kg (0.7 lbs)
Temperature	-40° to +60°C
Wind Loading	3.4 Kg (7.54lbs) @ 100mph

MOUNTING OPTIONS

Kits Available	N/A
See separate data sheets	

ADDITIONAL NOTES

Issued 310311

European Antennas Limited trading as Cobham Antenna Systems, Microwave Antennas

European Antennas Limited has a policy of continuous development and stress that the information provided is a guide only and does not constitute an offer or contract or part thereof. Whilst every effort is made to ensure the accuracy of the information contained in this brochure, no responsibility can be accepted for any errors or omissions.

The copyright of antenna designs and images is copyright protected and owned by European Antennas Limited.
©European Antennas Limited

For further information please contact:

Cobham Antenna Systems, Microwave Antennas
Lambda House, Cheveley,
Newmarket, Suffolk CB8 9RG, UK.
Tel +44 (0)1638 732 177
Fax +44 (0) 1638 731999
Email newmarket.sales@cobham.com