

# LOW PROFILE ANTENNA LPA6-830R/1229

## ELECTRICAL

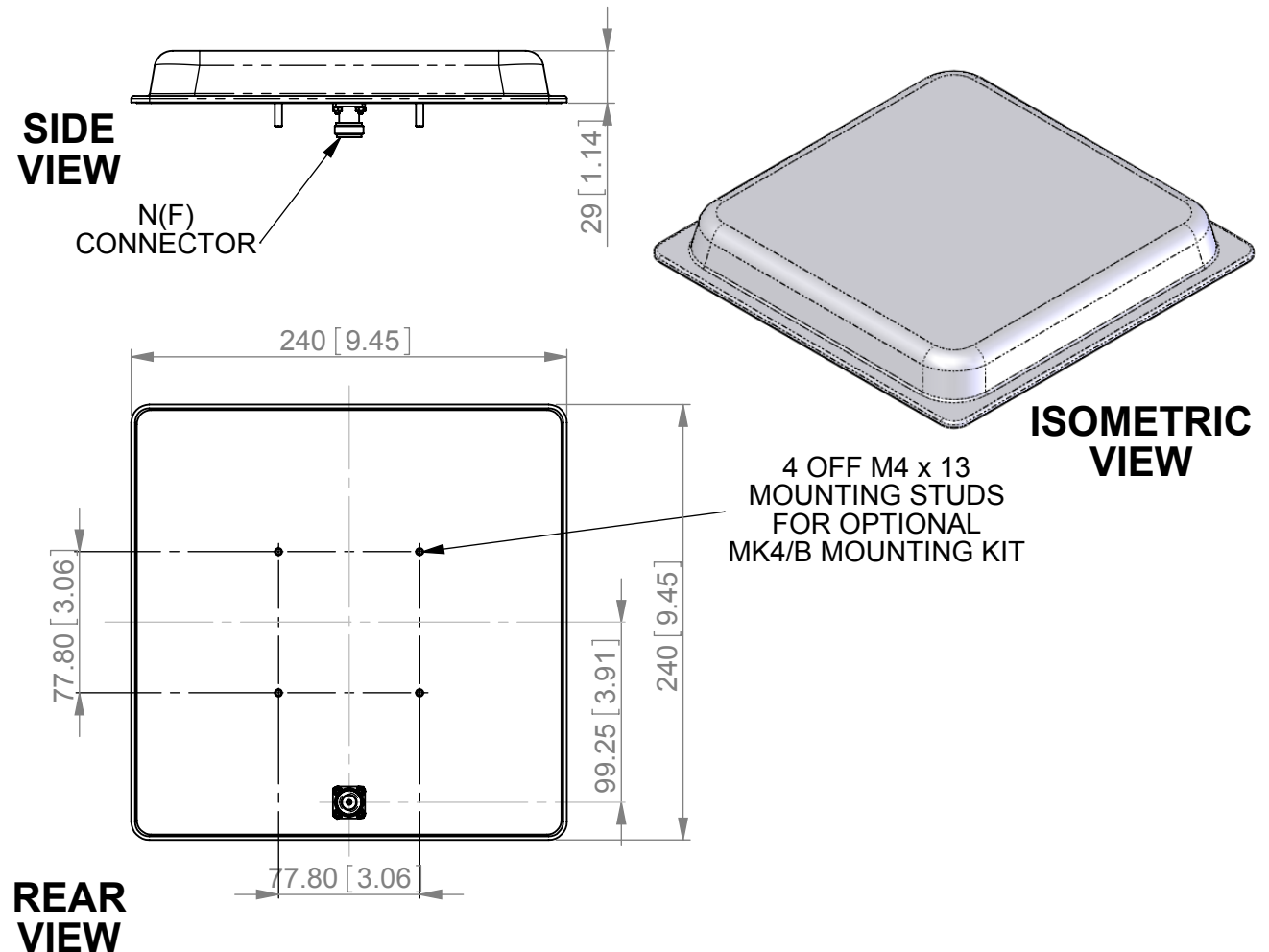
FREQUENCY:	800 - 860 MHz
GAIN:	8 dBiC
POLARISATION:	Right Hand Circular
BEAMWIDTH:	70° (Az) x 70° (El)
AXIAL RATIO:	3 dB Typical
VSWR:	1.5:1
POWER RATING:	25 W
FRONT TO BACK:	>20 dB

## MECHANICAL

STANDARD FINISH:	White Radome, Alocrom Base
MASS:	0.64 Kg / 1.4 lbs
TEMPERATURE:	-20° to +50°C
WIND LOADING:	9.34 Kg / 20.55 lbs @ 100 mph

## MOUNTING OPTIONS

KITS AVAILABLE:	MK4/B
See Separate Data Sheets	



GA: 1229-2 Issued: 271008  
DIMENSIONS: mm [inches] M

LPA6-830R/1229

European Antennas Ltd. has a policy of continuous development and therefore stress that the data contained on this sheet should be used for guidance only.

European Antennas Ltd is part of Cobham Defence Electronic Systems



Certificate No 9268

European Antennas Ltd  
Lambda House, Cheveley  
Newmarket, Suffolk, CB8 9RG, UK  
Tel: +44 (0)1638 731888  
sales@european-antennas.co.uk  
[www.european-antennas.co.uk](http://www.european-antennas.co.uk)