



# EUROPEAN ANTENNAS

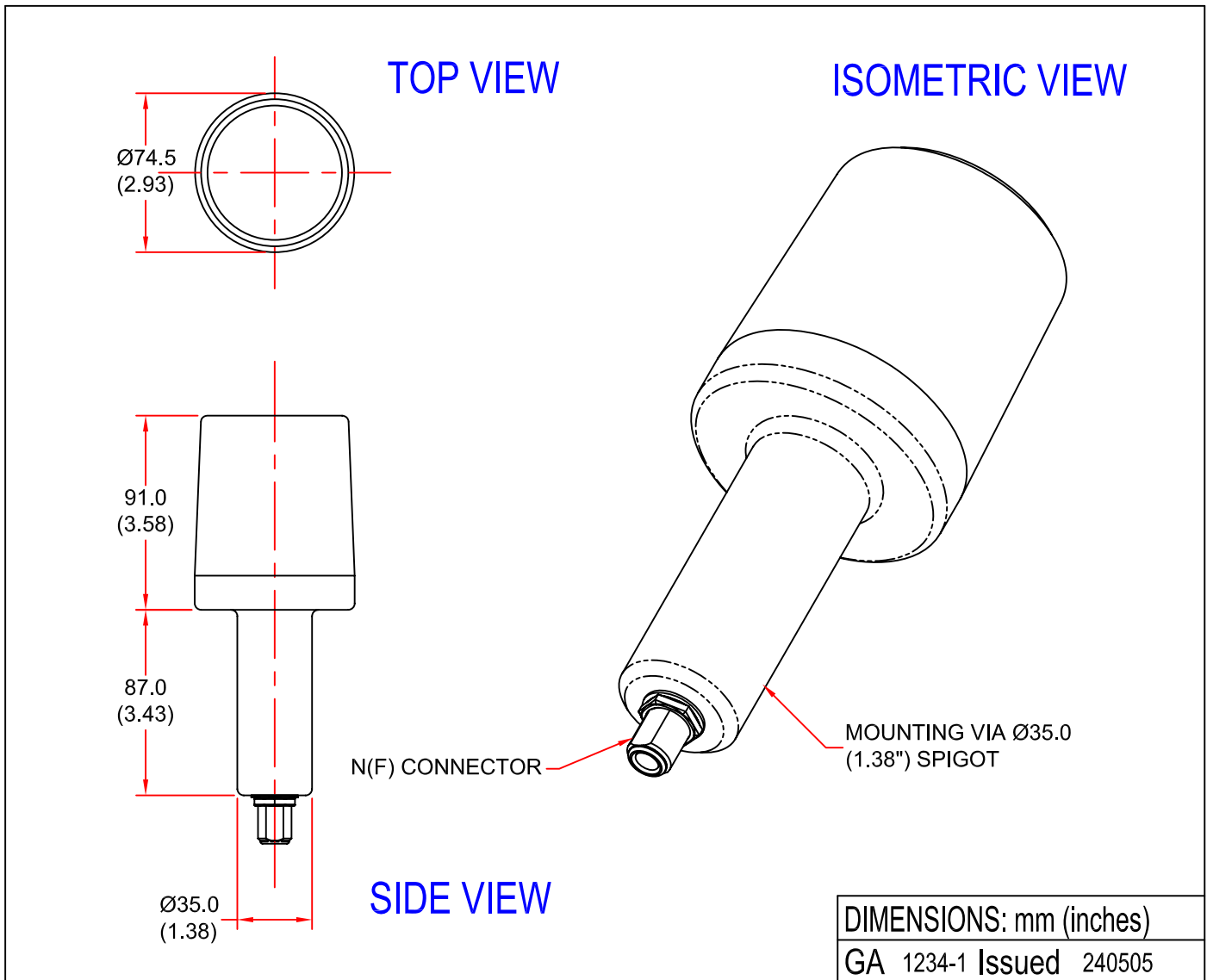
Excellence through design  
Creative in concept



## HEMI OMNI ANTENNA

MODEL: HOA2-2150L/1234

FREQUENCY:	2.05 - 2.25 GHz	GAIN:	2 dBiC
POLARISATION:	Circular (L.H.C)	BEAMWIDTH:	100° (Az) x 100° (El) Approx
AXIAL RATIO:	3 dB Typical	VSWR:	1.5:1
POWER RATING:	15 W	FRONT TO BACK:	N/A
TEMPERATURE:	-20°C to +50°C	MASS:	300 g / 11 oz Approx
FINISH:	White radome, Alocrom 1200 base	WIND LOADING:	1.5 Kg / 3.3 lbs @ 100 mph



EUROPEAN ANTENNAS LTD.

LAMBDA HOUSE, CHEVELEY,  
NEWMARKET, SUFFOLK, CB8 9RG,  
UNITED KINGDOM.

TEL: +44 (0)1638 731888  
FAX: +44 (0)1638 731999

E-Mail: sales@european-antennas.co.uk  
Website: www.european-antennas.co.uk