



# EUROPEAN ANTENNAS

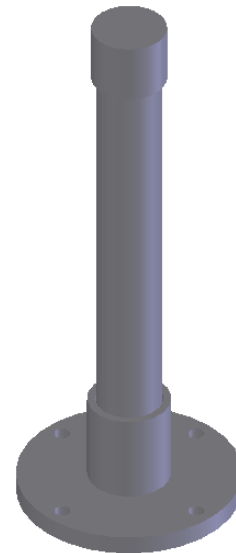
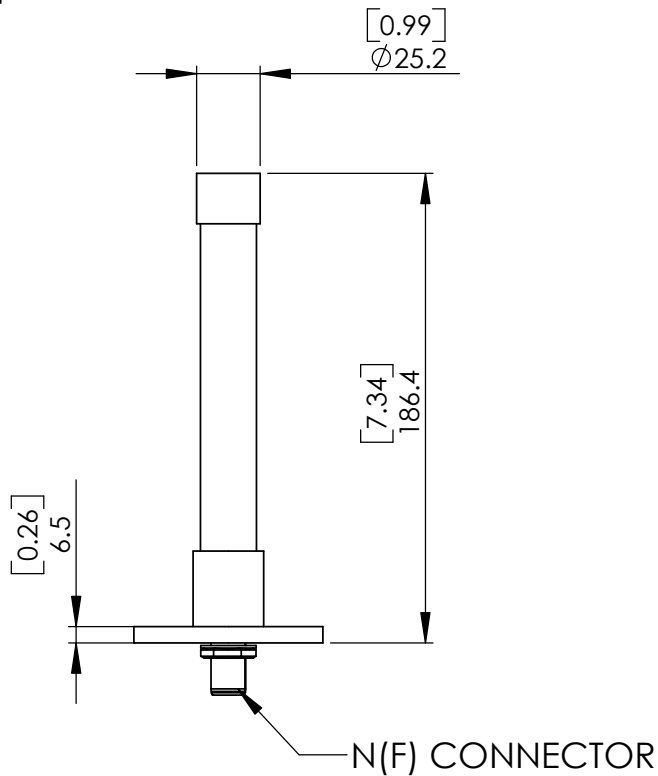
Excellence through design  
Creative in concept

## VERTICALLY POLARISED OMNI ANTENNA

### MODEL: OA2-1.6-3.0V/1377

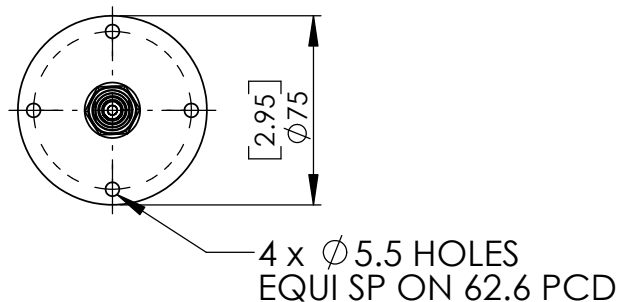
|                      |                   |                       |                             |
|----------------------|-------------------|-----------------------|-----------------------------|
| <b>FREQUENCY:</b>    | 1.65 - 3.00 GHz   | <b>GAIN:</b>          | 2.0 dBi Nominal             |
| <b>POLARISATION:</b> | Linear (Vertical) | <b>BEAMWIDTH:</b>     | 360° (Az) x 68° (Ei) Approx |
| <b>CROSS POLAR:</b>  | >20 dB            | <b>VSWR:</b>          | 2:1 Maximum                 |
| <b>POWER RATING:</b> | 25 W              | <b>FRONT TO BACK:</b> | N/A                         |
| <b>TEMPERATURE:</b>  | -40° to +60°C     | <b>MASS:</b>          | 200 g/7 oz                  |
| <b>FINISH:</b>       | Matt black        | <b>WIND LOADING:</b>  | 0.8 Kg / 1.7 lbs @ 100 mph  |

### FRONT VIEW



### ISOMETRIC VIEW

### BASE VIEW



GA: 1377-1 | Issued: 030107 | DIMENSIONS: mm (inches) | M

EUROPEAN ANTENNAS LTD.  
LAMBDA HOUSE, CHEVELEY  
NEWMARKET, SUFFOLK, CB8 9RG,  
UNITED KINGDOM



Certificate No 9268

Tel: +44 (0)1638 731888  
Fax: +44 (0)1638 731999  
E-Mail: sales@european-antennas.co.uk  
Website: www.european-antennas.co.uk