

# LOW PROFILE ANTENNA

## LPA7-900L/1393



### ELECTRICAL

FREQUENCY:	870 - 960 MHz
GAIN:	7 dBiC
POLARISATION:	Left Hand Circular
BEAMWIDTH:	80° (Az) x 80° (El)
AXIAL RATIO:	3 dB
VSWR:	1.5:1
POWER RATING:	10W
FRONT TO BACK:	20 dB

### MECHANICAL

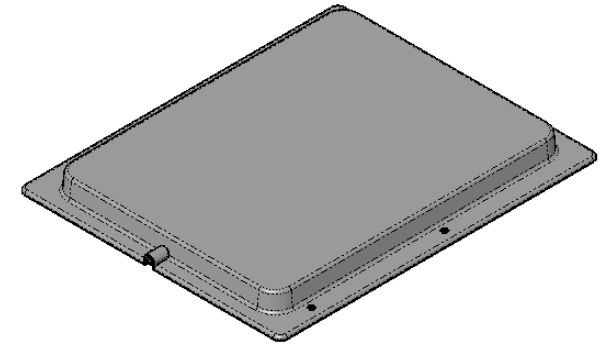
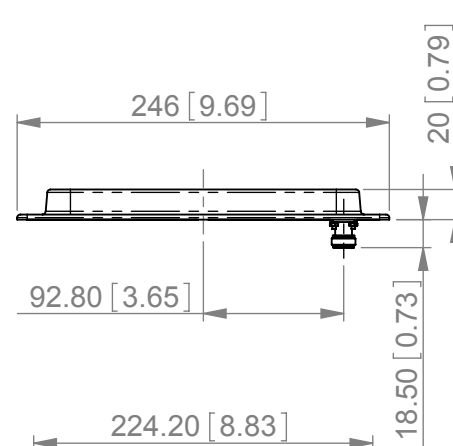
STANDARD FINISH:	Gloss White
MASS:	0.75 kg / 1.65 lbs
TEMPERATURE:	-20° to +50°C
WIND LOADING:	11.9 kg / 26.2 lbs @ 100 mph

### MOUNTING OPTIONS

KITS AVAILABLE: N/A  
See Separate Data Sheets

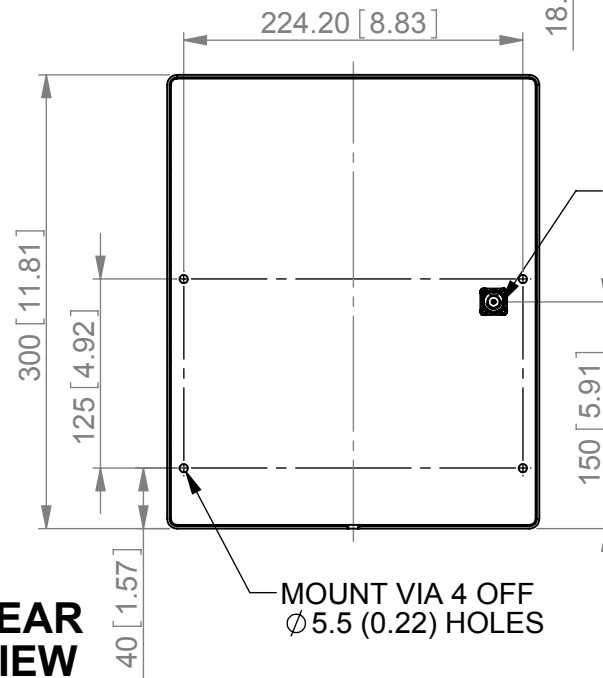
GA: 1393-1 Issued: 200308  
DIMENSIONS: mm [inches]

END VIEW



ISOMETRIC VIEW

REAR VIEW



MOUNT VIA 4 OFF  
Ø 5.5 (0.22) HOLES

LPA7-900L/1393

European Antennas Ltd. has a policy of continuous development and therefore stress that the data contained on this sheet should be used for guidance only.

European Antennas Ltd. is part of the Cobham Antennas Division



Certificate No 9268

European Antennas Ltd  
Lambda House, Cheveley  
Newmarket, Suffolk, CB8 9RG, UK  
Tel: +44 (0)1638 731888  
sales@european-antennas.co.uk  
[www.european-antennas.co.uk](http://www.european-antennas.co.uk)