



# EUROPEAN ANTENNAS

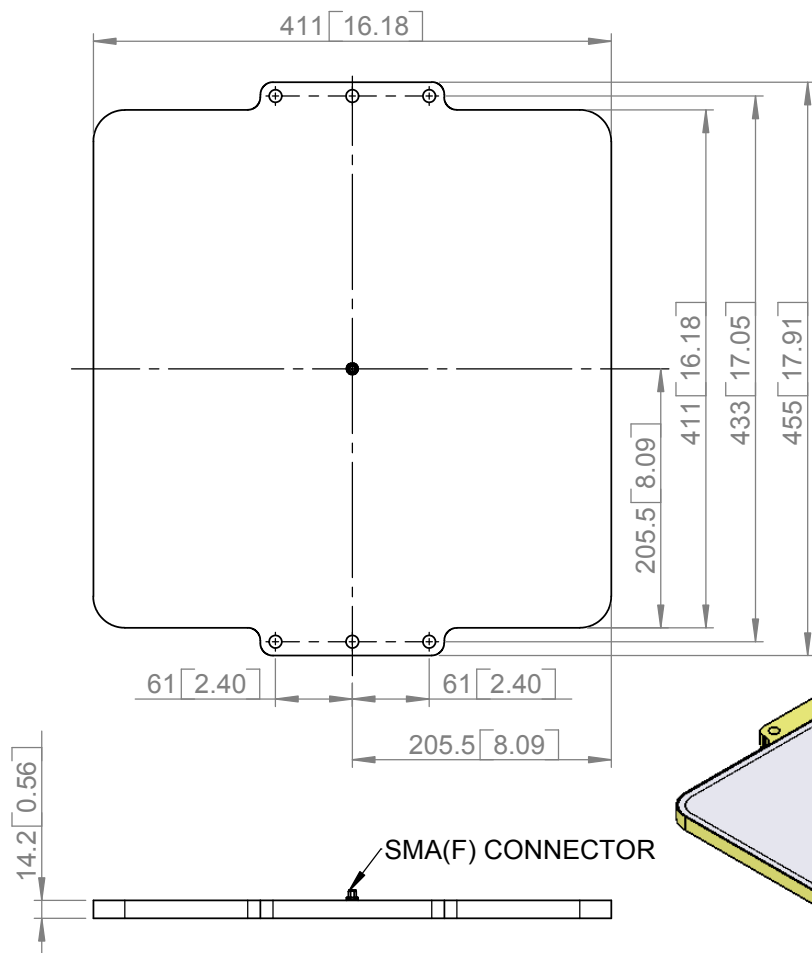
Excellence through design  
Creative in concept

## FLAT PANEL ANTENNA

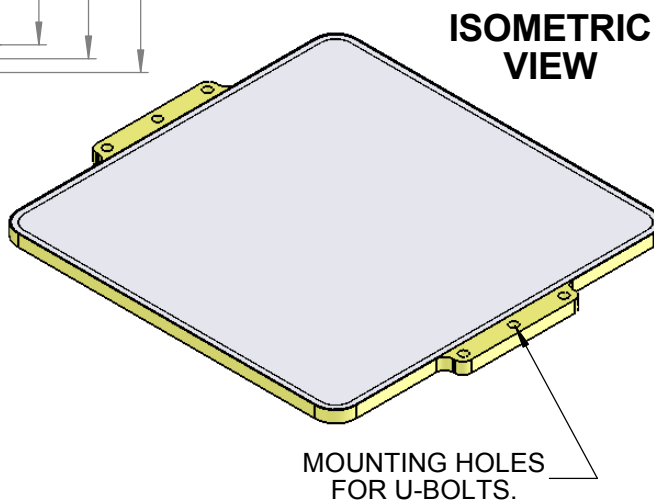
### MODEL: FPA23-61V/1266

<b>FREQUENCY:</b>	5.8-6.4 GHz	<b>GAIN:</b>	27 dBi
<b>POLARISATION:</b>	Linear (Vertical)	<b>BEAMWIDTH:</b>	6.8° approx. (Az) x 6.5° approx (El)
<b>CROSS POLAR:</b>	>25dB	<b>VSWR:</b>	2:1
<b>POWER RATING:</b>	10 W	<b>FRONT TO BACK:</b>	>45dB
<b>TEMPERATURE:</b>	-40° to +60°C	<b>MASS:</b>	2.8 Kg / 6.16 lbs
<b>FINISH:</b>	Gloss w hite radome, Alocrom 1200	<b>WIND LOADING:</b>	30.33 Kg / 66.73 lbs @ 100 mph

### BASE VIEW



### SIDE VIEW



GA:1266-1 Issued: 120106 DIMENSIONS: mm (inches) L

EUROPEAN ANTENNAS LTD.  
LAMBDA HOUSE, CHEVELEY  
NEWMARKET, SUFFOLK, CB8 9RG,  
UNITED KINGDOM



Certificate No 9268

Tel: +44 (0)1638 731888  
Fax: +44 (0)1638 731999  
E-Mail: sales@european-antennas.co.uk  
Website: www.european-antennas.co.uk