



EUROPEAN ANTENNAS

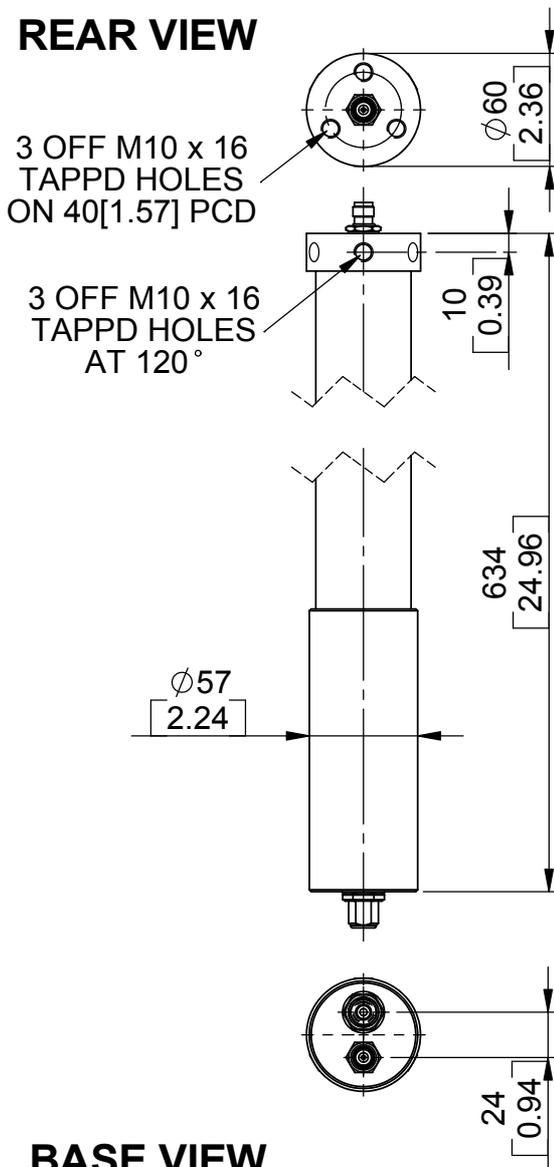
Excellence through design
Creative in concept

VERTICALLY POLARISED OMNI ANTENNA

MODEL: VOA5-1090-UT12-FT/1292

FREQUENCY:	1.08 - 1.10 GHz	GAIN:	5.7 dBi Peak
POLARISATION:	Linear (Vertical)	BEAMWIDTH:	360° (Az) x 36.5° (El) Approx
CROSS POLAR:	>20 dB Typical	VSWR:	1.5:1
POWER RATING:	25 W	ELECTRICAL TILT:	11.5° Up Tilt
TEMPERATURE:	-40° to +60°C	MASS:	0.8 Kg / 1.76 lbs
FINISH:	Gloss White	WIND LOADING:	5.7 Kg / 12.6 lbs @ 100 mph

REAR VIEW



TNC(F) CONNECTOR

ISOMETRIC VIEWS

MOUNTED VIA Ø57 SPIGOT

TNC(F) CONNECTOR
N(F) CONNECTOR

GA:1292-1 Issued: 310106 DIMENSIONS: mm [inches] M

EUROPEAN ANTENNAS LTD.
LAMBDA HOUSE, CHEVELEY
NEWMARKET, SUFFOLK, CB8 9RG,
UNITED KINGDOM



Certificate No 9268

Tel: +44 (0)1638 731888
Fax: +44 (0)1638 731999
E-Mail: sales@european-antennas.co.uk
Website: www.european-antennas.co.uk