



EUROPEAN ANTENNAS

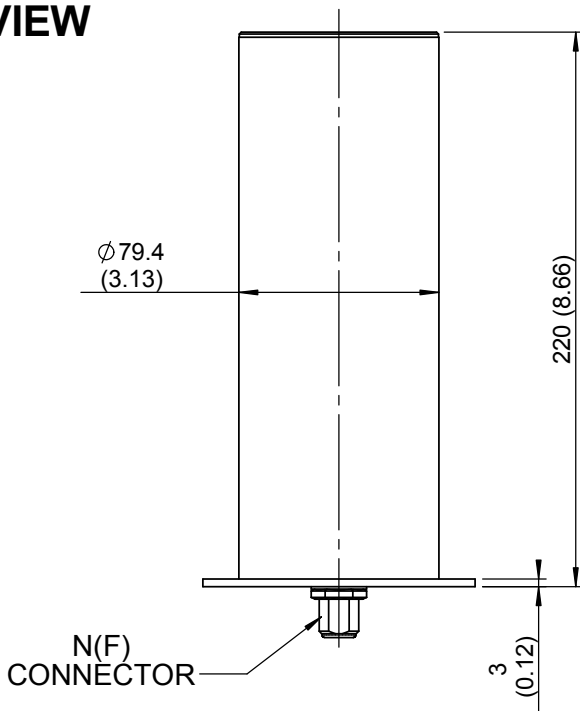
Excellence through design
Creative in concept

OMNI ANTENNA

MODEL: OA4-5.8H/1272

FREQUENCY:	5.725 - 5.85 GHz	GAIN:	3 dBi Typical on Horizon
POLARISATION:	Linear (Horizontal)	BEAMWIDTH:	360° (Az.) x 35° (El.) Approx.
CROSS POLAR:	20 dB Min. on Horizon	VSWR:	2 : 1
POWER RATING:	50 W	FRONT TO BACK:	N/A
TEMPERATURE:	-40° to +55°C	MASS:	610g / 1.34 lbs Approx.
FINISH:	Alocrom 1200 flange & topcap / Grey Radome	WIND LOADING:	2.58 Kg / 5.67 lbs @ 100 mph

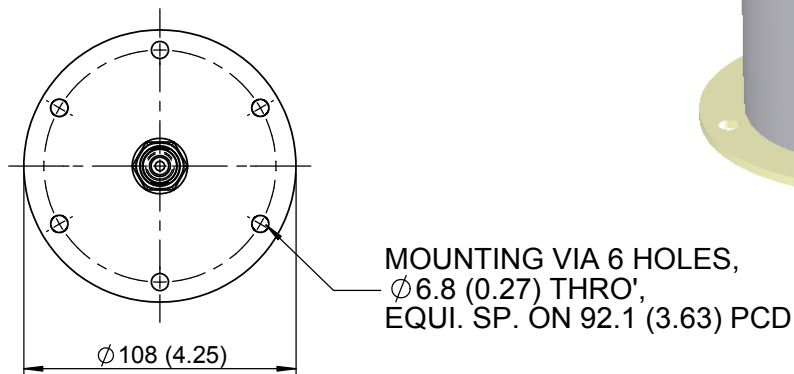
SIDE VIEW



PICTORIAL VIEW



BASE VIEW



GA: 1272-1

Issued: 161205

DIMENSIONS: mm (inches)

M

EUROPEAN ANTENNAS LTD.
LAMBDA HOUSE, CHEVELEY
NEWMARKET, SUFFOLK, CB8 9RG,
UNITED KINGDOM



Certificate No 9268

Tel: +44 (0)1638 731888
Fax: +44 (0)1638 731999
E-Mail: sales@european-antennas.co.uk
Website: www.european-antennas.co.uk

European Antennas Ltd. has a policy of continuous development and therefore stress that the data contained on this sheet should be used for guidance only.