



EUROPEAN ANTENNAS

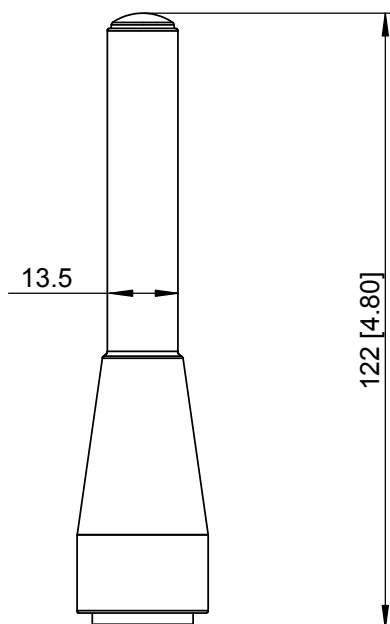
Excellence through design
Creative in concept

RUGGED DIPOLE ANTENNA

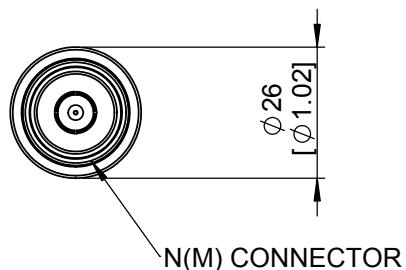
MODEL: EVD2-5300/1285

FREQUENCY:	5.15-5.45 GHz	GAIN:	2 dBi Nominal
POLARISATION:	Linear (Vertical)	BEAMWIDTH:	360° (Az) x 80° (El)
AXIAL RATIO:	20 dB Typical	VSWR:	1.5:1
POWER RATING:	10 W	MASS:	0.7 Kg / 1.54 lbs
TEMPERATURE:	-20° to +50°C	WIND LOADING:	N/A

SIDE VIEW



BASE VIEW



ISOMETRIC VIEW



GA: 1285-1 | Issued: 170106 | DIMENSIONS: mm (inches) | H

EUROPEAN ANTENNAS LTD.
LAMBDA HOUSE, CHEVELEY
NEWMARKET, SUFFOLK, CB8 9RG,
UNITED KINGDOM



Certificate No 9268

Tel: +44 (0)1638 731888
Fax: +44 (0)1638 731999
E-Mail: sales@european-antennas.co.uk
Website: www.european-antennas.co.uk