



EUROPEAN ANTENNAS

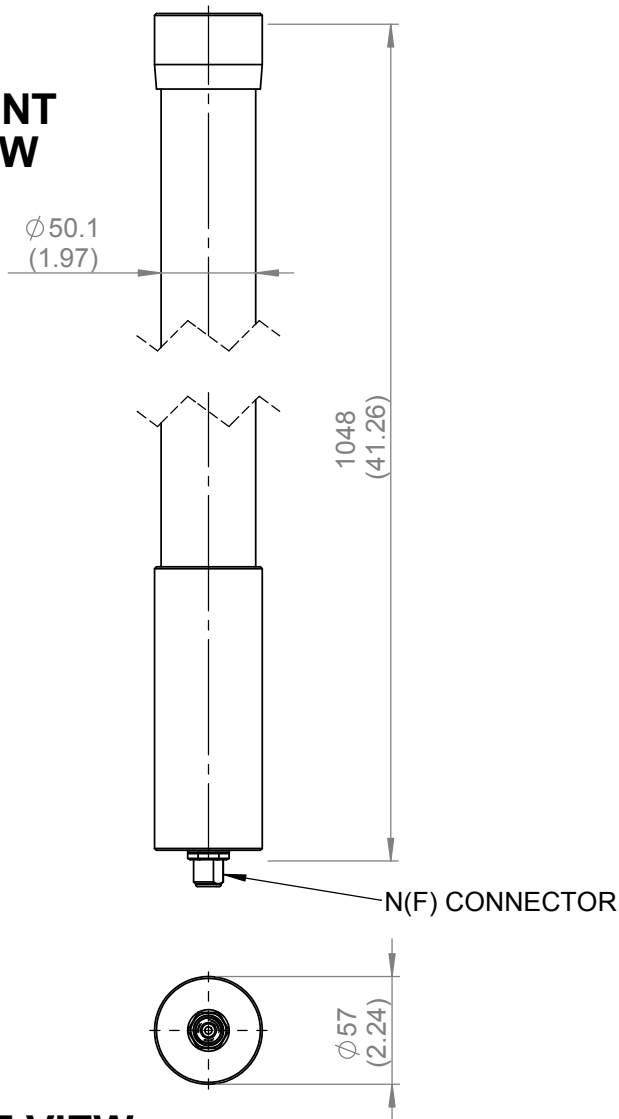
Excellence through design
Creative in concept

VERTICALLY POLARISED OMNI ANTENNA

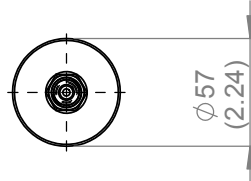
MODEL: VOA7-1090-UT2/1227

FREQUENCY:	1.06 - 1.12 GHz	GAIN:	7 dBi Nominal
POLARISATION:	Linear (Vertical)	BEAMWIDTH:	360° (Az) x 19° (El)
CROSS POLAR:	>25 dB Typical	VSWR:	1.5:1
POWER RATING:	10 W	ELECTRICAL UPTILT:	2°
TEMPERATURE:	-40° to +60°C	MASS:	1.0 Kg / 2.2 lbs
FINISH:	Gloss White	WIND LOADING:	9.2 Kg / 20.1 lbs @ 100 mph

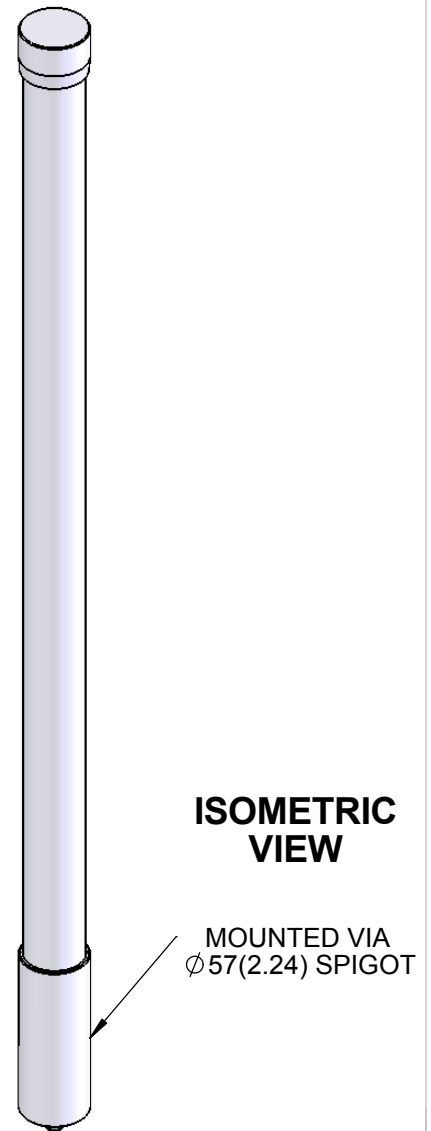
FRONT VIEW



BASE VIEW



ISOMETRIC VIEW



GA:1227-1 Issued: 240605 DIMENSIONS: mm (inches) M

EUROPEAN ANTENNAS LTD.
LAMBDA HOUSE, CHEVELEY
NEWMARKET, SUFFOLK, CB8 9RG,
UNITED KINGDOM



Certificate No 9268

Tel: +44 (0)1638 731888
Fax: +44 (0)1638 731999
E-Mail: sales@european-antennas.co.uk
Website: www.european-antennas.co.uk