

SA7-150-435V/1041

COBHAM

Sector Antenna

The most important thing we build is trust

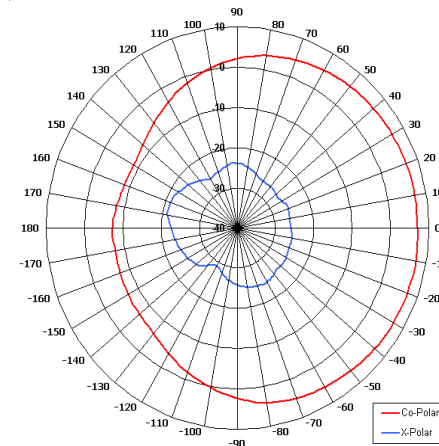
Designed for UAV Data Link Applications

Suitable for Ground Based Applications

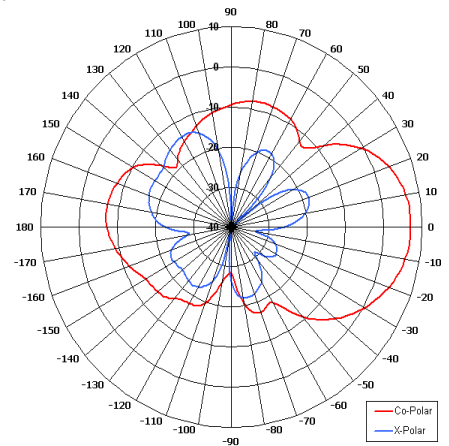
Wide Band

Vertical Polarisation

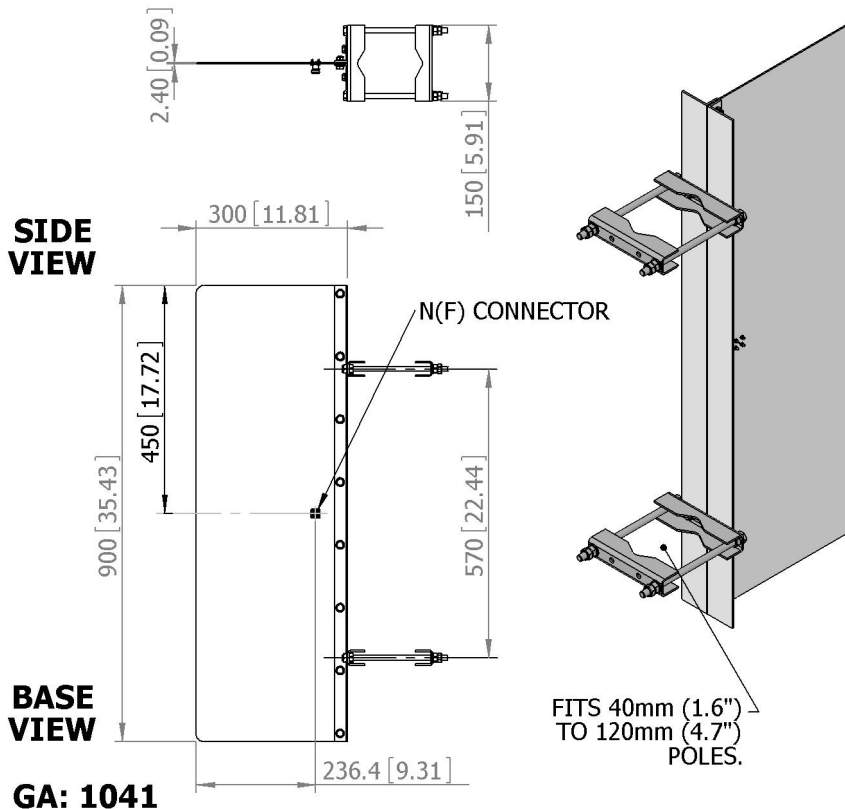
Low Profile



Azimuth Pattern



Elevation Pattern



ELECTRICAL

Frequency	400 - 470 MHz
Gain	4 dBi Average, 7 dBi Peak (see note)
Polarisation	Linear (Vertical)
Beamwidth	150° (Az) x 40° (El) Approx (see note)
Cross Polar	15 dB Typ
VSWR	1.5:1
Power Rating	150W
Front to Back	12 dB Typ

MECHANICAL

Standard Finish	Heavy Duty White
Mass	4.2 Kg (9.2 lbs)
Temperature	-20° to +50°C
Wind Loading	43.8 Kg (96.4 lbs) @ 100mph

MOUNTING OPTIONS

Kits Available	Supplied
See separate data sheets	

ADDITIONAL NOTES

Minimum Gain >1 dBi @ 200° Az

Issued 091210

European Antennas Limited trading as Cobham Antenna Systems, Microwave Antennas

European Antennas Limited has a policy of continuous development and stress that the information provided is a guide only and does not constitute an offer or contract or part thereof. Whilst every effort is made to ensure the accuracy of the information contained in this brochure, no responsibility can be accepted for any errors or omissions.

The copyright of antenna designs and images is copyright protected and owned by European Antennas Limited.
©European Antennas Limited

For further information please contact:

Cobham Antenna Systems, Microwave Antennas
Lambda House, Cheveley,
Newmarket, Suffolk CB8 9RG, UK.
Tel +44 (0)1638 732 177
Fax +44 (0) 1638 731999
Email newmarket.sales@cobham.com