

SBA-3800-D1/1040

COBHAM

Omni Blade Antenna

The most important thing we build is trust

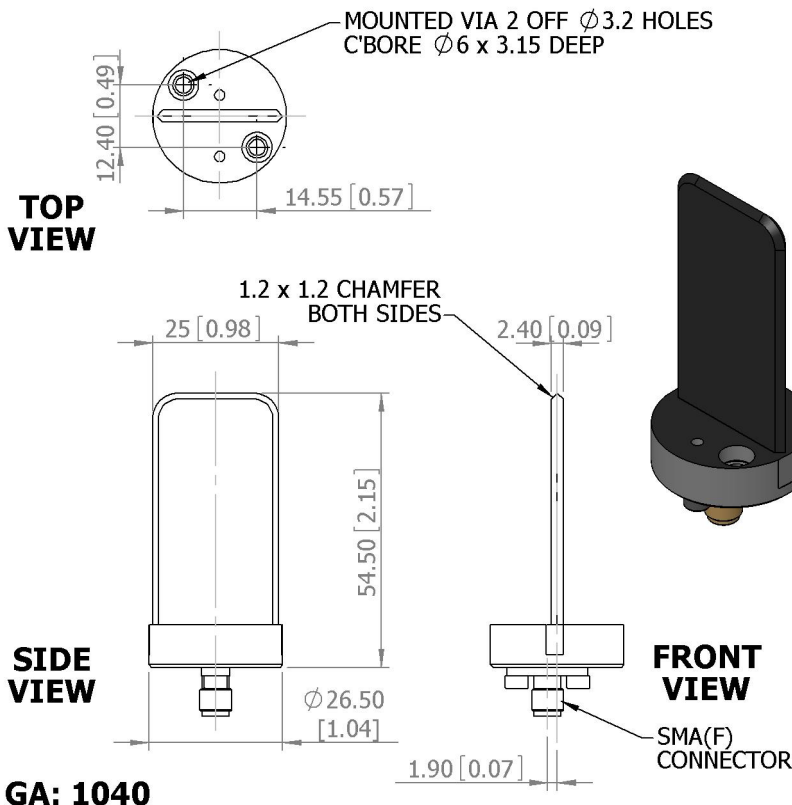
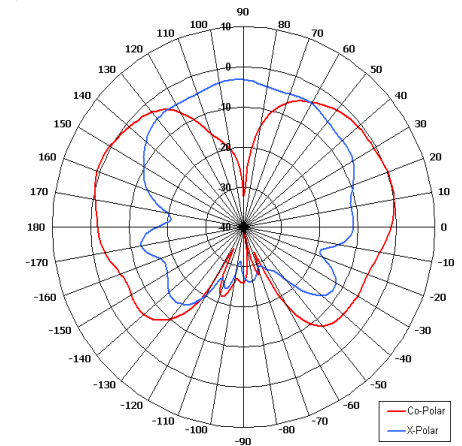
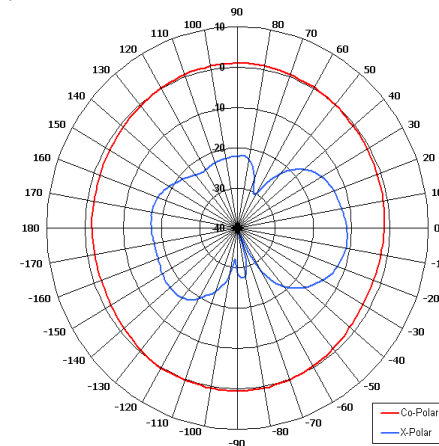
Designed for Broadcast Applications

Suitable for Multiple Applications

Vertical Polarisation

Low Profile

Lightweight



ELECTRICAL

Frequency	3.60 - 4.00 GHz
Gain	2 dBi Nom
Polarisation	Linear (Vertical)
Beamwidth	360° (Az) x 70° (El) Approx
Cross Polar	20 dB Typ
VSWR	1.5:1 Typ, 2:1 Band Edges
Power Rating	4W
Front to Back	N/A

MECHANICAL

Standard Finish	Matt Black (blade and top face only)
Mass	20g (0.7 oz)
Temperature	-20° to +50° C
Wind Loading	0.22 Kg(0.49 lbs) @ 100mph

MOUNTING OPTIONS

Kits Available	N/A
----------------	-----

See separate data sheets

ADDITIONAL NOTES

Issued 091210

European Antennas Limited trading as Cobham Antenna Systems, Microwave Antennas

European Antennas Limited has a policy of continuous development and stress that the information provided is a guide only and does not constitute an offer or contract or part thereof. Whilst every effort is made to ensure the accuracy of the information contained in this brochure, no responsibility can be accepted for any errors or omissions.

The copyright of antenna designs and images is copyright protected and owned by European Antennas Limited.
©European Antennas Limited

For further information please contact:

Cobham Antenna Systems, Microwave Antennas

Lambda House, Cheveley,

Newmarket, Suffolk CB8 9RG, UK.

Tel +44 (0)1638 732 177

Fax +44 (0) 1638 731999

Email newmarket.sales@cobham.com