

FPA21-62L/1119



Directional Antenna

The most important thing we build is trust

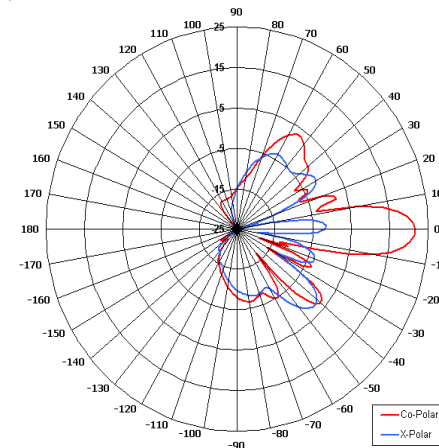
Designed for Unmanned Systems Applications

High Gain

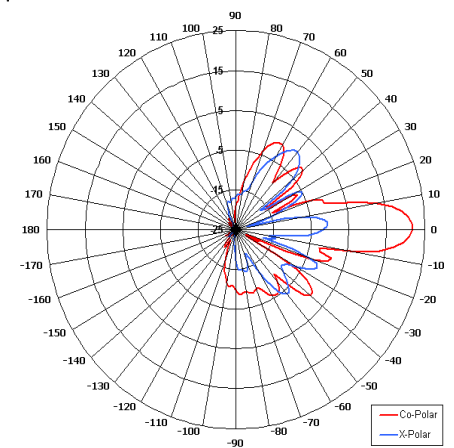
Left Hand Circular Polarised

Pattern - Highly Directional

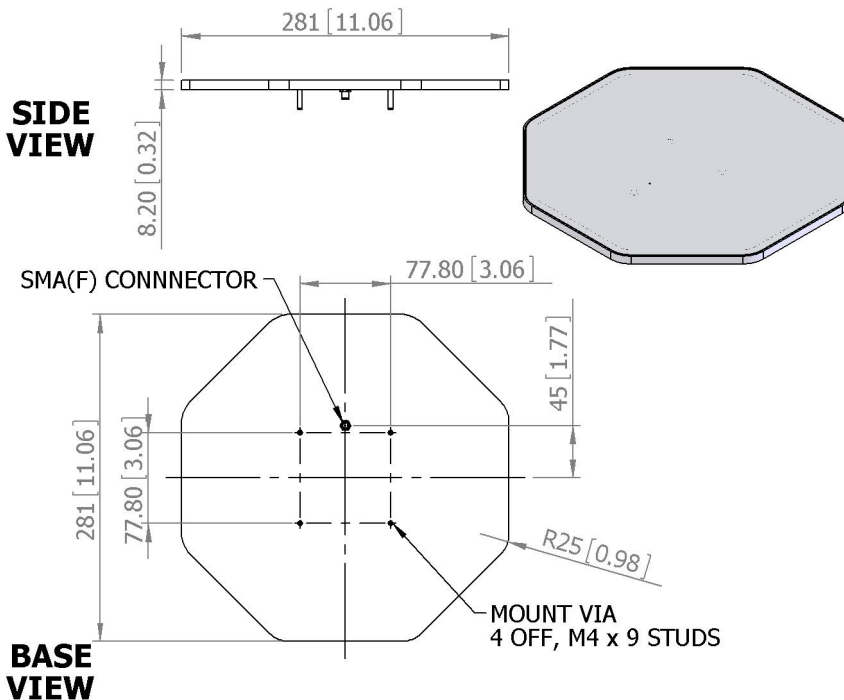
Rugged



Azimuth Pattern



Elevation Pattern



ELECTRICAL

Frequency	5.90 - 6.40 GHz
Gain	21 dBiC Nom
Polarisation	Left Hand Circular
Beamwidth	11° (Az) x 11° (El Approx)
Axial Ratio	3 dB
VSWR	1.5:1 Max
Power Rating	20 W
Front to Back	>40 dB

MECHANICAL

Standard Finish	Gloss White
Mass	0.9 Kg (1.98 lbs)
Temperature	-20° to +50°C
Wind Loading	10.4 Kg (22.8 lbs) @ 100mph

MOUNTING OPTIONS

Kits Available	MK4
See separate data sheets	

ADDITIONAL NOTES

GA: 1119

European Antennas Limited trading as Cobham Antenna Systems, Microwave Antennas

European Antennas Limited has a policy of continuous development and stress that the information provided is a guide only and does not constitute an offer or contract or part thereof. Whilst every effort is made to ensure the accuracy of the information contained in this brochure, no responsibility can be accepted for any errors or omissions.

The copyright of antenna designs and images is copyright protected and owned by European Antennas Limited.
©European Antennas Limited

Issued 021212

For further information please contact:

Cobham Antenna Systems, Microwave Antennas

Lambda House, Cheveley,

Newmarket, Suffolk CB8 9RG, UK.

Tel +44 (0)1638 732 177

Fax +44 (0) 1638 731999

Email newmarket.sales@cobham.com