

# 7EVD2-900-5850/1091

**COBHAM**

## Omni Antenna

The most important thing we build is trust

Designed for DAS Applications

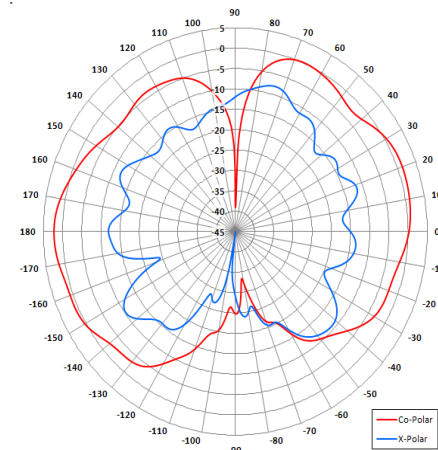
Multi Band

Vertical Polarisation - GSM Bands

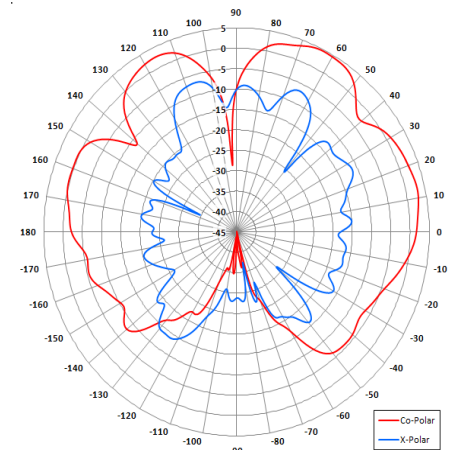
Dual Slant - WLAN Bands

Suitable for Indoor Applications

Low Profile

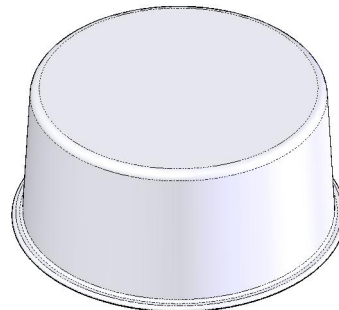
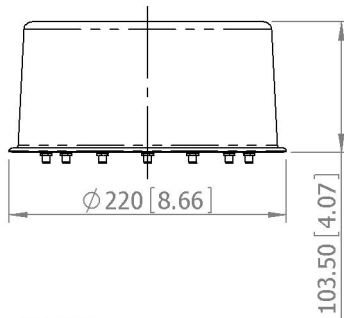


Typical Elevation Pattern (2.45 GHz)

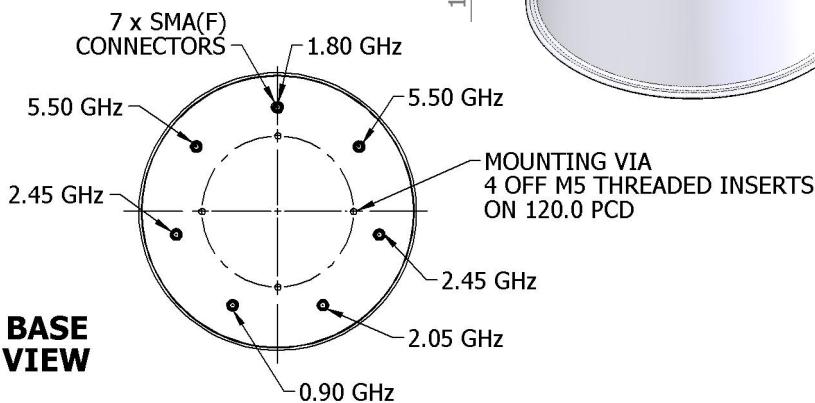


Typical Elevation Pattern (5.50 GHz)

**SIDE VIEW**



**BASE VIEW**



**GA: 1091**

### ELECTRICAL

Frequency	0.88-0.96, 1.71-1.88, 1.92-2.17, 2.4-2.5, 5.25-5.85 GHz
Gain	0 dBi Low Band Nom 2 dBi All Other Bands
Polarisation	7x Linear (Vertical)
Beamwidth	360° (Az) x 100° (El) Low Band 70° (El) All Other Bands
Cross Polar	5 dB Typ, Low Band. 15 dB Typ, All Other Bands
VSWR	2.5:1
Power Rating	7 x 10 W

### MECHANICAL

Standard Finish	Semi Gloss White
Mass	335g (0.74 lbs)
Temperature	-20° to +50°C
Wind Loading	6.16 Kg (13.55 lbs) @ 100mph

### MOUNTING OPTIONS

Kits Available	N/A
See separate data sheets	

### ADDITIONAL NOTES

Issued 250811

European Antennas Limited trading as Cobham Antenna Systems, Microwave Antennas

European Antennas Limited has a policy of continuous development and stress that the information provided is a guide only and does not constitute an offer or contract or part thereof. Whilst every effort is made to ensure the accuracy of the information contained in this brochure, no responsibility can be accepted for any errors or omissions.

The copyright of antenna designs and images is copyright protected and owned by European Antennas Limited.  
©European Antennas Limited

For further information please contact:

Cobham Antenna Systems, Microwave Antennas  
Lambda House, Cheveley,  
Newmarket, Suffolk CB8 9RG, UK.  
Tel +44 (0)1638 732 177  
Fax +44 (0) 1638 731999  
Email [antennasystems.ma@cobham.com](mailto:antennasystems.ma@cobham.com)