

# RCO3-149/1062



## Omni Antenna

The most important thing we build is trust

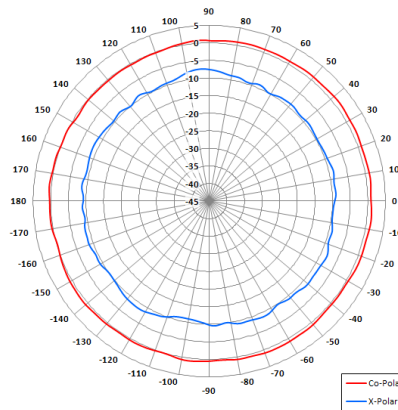
Designed for UAV Data Link Applications

Right Hand Circular Polarised

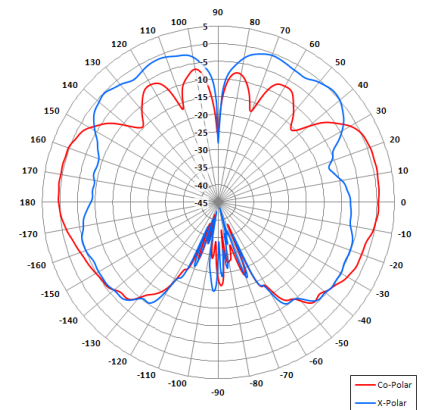
Lightweight

Rugged

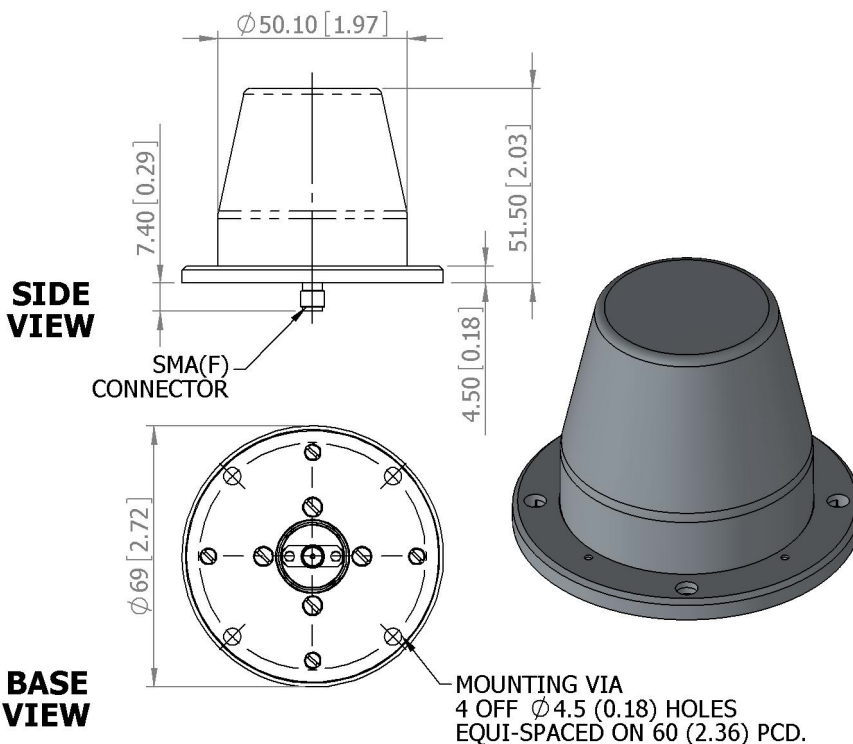
Compact



Azimuth Pattern



Elevation Pattern



### ELECTRICAL

Frequency	14.40 - 15.35 GHz
Gain	0.5 dBiC Nom. @ +10° Elevation
Polarisation	Right Hand Circular
Beamwidth	360° (Az) x 45° (El) Approx.
Axial Ratio	8 dB Typ
VSWR	1.5:1
Power Rating	100 W
Front to Back	N/A
Electrical Tilt	10° Up Approx.

### MECHANICAL

Standard Finish	Comouflage Grey to BS381C-626
Mass	150g (5.29 oz)
Temperature	-40° to +71°C
Wind Loading	346g (12.2 oz) @ 100mph

### MOUNTING OPTIONS

Kits Available N/A

See separate data sheets

### ADDITIONAL NOTES

Issued 200911

For further information please contact:

Cobham Antenna Systems, Microwave Antennas  
 Lambda House, Cheveley,  
 Newmarket, Suffolk CB8 9RG, UK.  
 Tel +44 (0)1638 732 177  
 Fax +44 (0) 1638 731999  
 Email [antennasystems.ma@cobham.com](mailto:antennasystems.ma@cobham.com)

European Antennas Limited trading as Cobham Antenna Systems, Microwave Antennas

European Antennas Limited has a policy of continuous development and stress that the information provided is a guide only and does not constitute an offer or contract or part thereof. Whilst every effort is made to ensure the accuracy of the information contained in this brochure, no responsibility can be accepted for any errors or omissions.

The copyright of antenna designs and images is copyright protected and owned by European Antennas Limited.  
 ©European Antennas Limited