

AMH12-2.1R/1188

COBHAM

Directional Antenna

The most important thing we build is trust

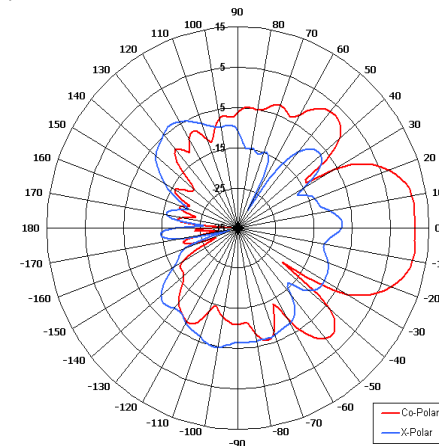
Designed for Security Applications

Suitable for Multiple Applications

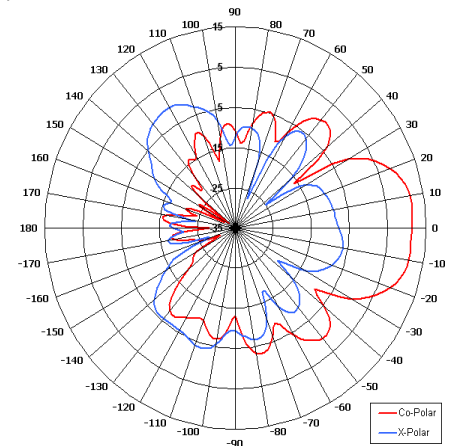
Wide Band

Right Hand Circular Polarised

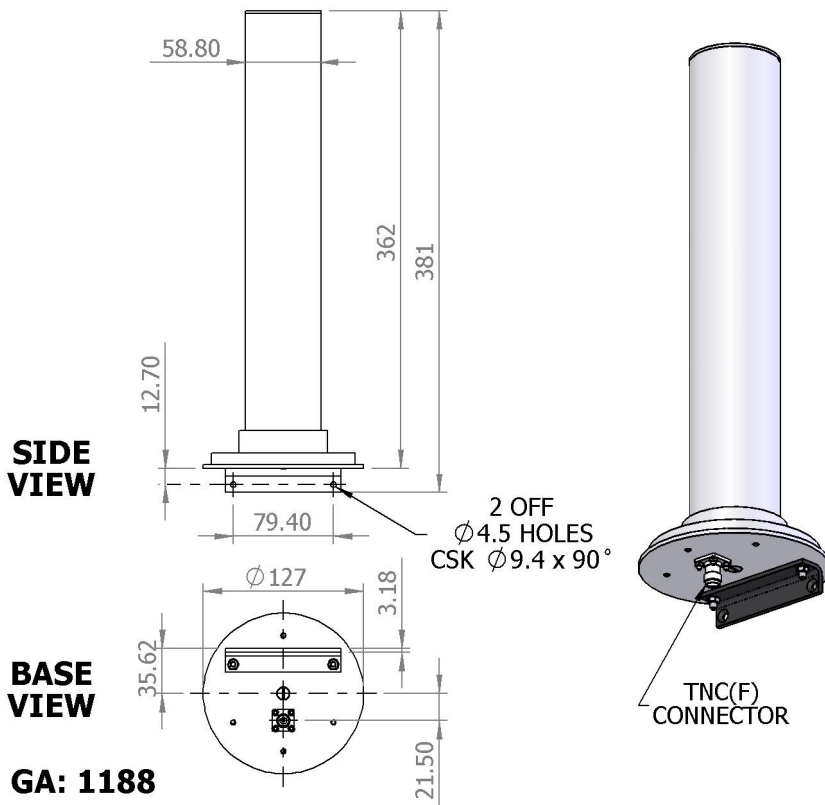
Rugged



Azimuth Pattern



Elevation Pattern



ELECTRICAL

Frequency	1.70 - 2.50 GHz
Gain	12.5 dBIC Peak - 10.7 dBIC Typ
Polarisation	Right Hand Circular
Beamwidth	35° (Az) x 35° (El) Approx
Axial Ratio	<3 dB Typ
VSWR	<1.5:1 Typ
Power Rating	10 W
Front to Back	>30 dB Typ

MECHANICAL

Standard Finish	Gloss White
Mass	1 Kg (2.2 lbs)
Temperature	-40° to +60° C
Wind Loading	3.6 Kg (8.0 lbs) @ 100mph

MOUNTING OPTIONS

Kits Available	N/A
----------------	-----

See separate data sheets

ADDITIONAL NOTES

Issued 151010

European Antennas Limited trading as Cobham Antenna Systems, Microwave Antennas

European Antennas Limited has a policy of continuous development and stress that the information provided is a guide only and does not constitute an offer or contract or part thereof. Whilst every effort is made to ensure the accuracy of the information contained in this brochure, no responsibility can be accepted for any errors or omissions.

The copyright of antenna designs and images is copyright protected and owned by European Antennas Limited.
©European Antennas Limited

For further information please contact:

Cobham Antenna Systems, Microwave Antennas
Lambda House, Cheveley,
Newmarket, Suffolk CB8 9RG, UK.
Tel +44 (0)1638 732 177
Fax +44 (0) 1638 731999
Email antennasystems.ma@cobham.com