



EUROPEAN ANTENNAS

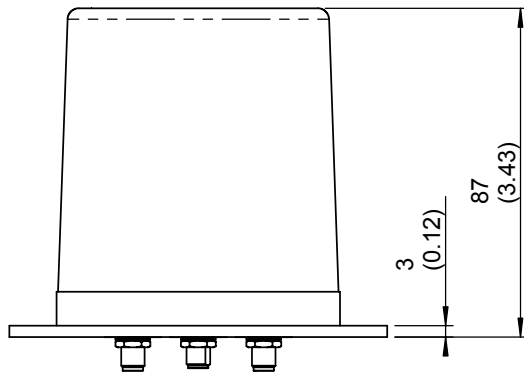
Excellence through design
Creative in concept

TRI BAND OMNI ANTENNA

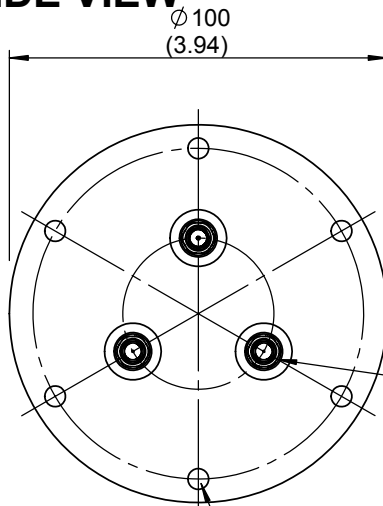
MODEL: TEVD2-900-1800-2050/1016

FREQUENCY:	880-960, 1710-1880 & 1920-2170 MHz	GAIN:	0 - 2 dBi Typical
PORT TO PORT ISOLATION:	900 - 1800 MHz - 10 dB Worst Case 900 - 2050 MHz - 10 dB Worst Case 1800 - 2050 MHz - 12 dB Worst Case	POLARISATION:	Linear (Vertical)
MAX ISOLATION:	30 dB	BEAMWIDTH:	360° (Az) x 80° (El)
TEMPERATURE:	-20° to +40°C	VSWR:	2:1 Typical 2.5:1 Band Edges
FINISH:	White Radome	POWER RATING:	20 W
		MASS:	150 g / 5.4 oz
		WIND LOADING:	N/A

DISTANCE BETWEEN ELEMENTS
In Excess of 2.0 cm
DISTANCE BETWEEN ELEMENTS AND RADOME
16 mm

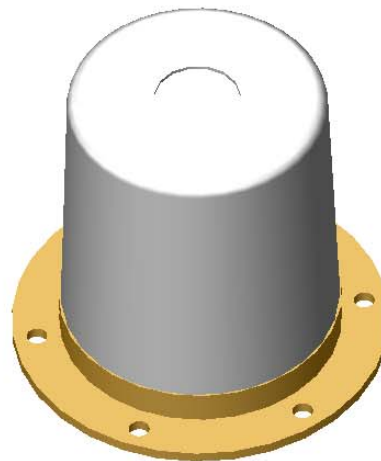


SIDE VIEW



BASE VIEW

6 x ϕ 5.5 HOLES THRO'
EQUI SP ON 87.5MM PCD



ISOMETRIC VIEW

3 x SMA(F) CONNECTORS

PORTS COLOUR CODED AS FOLLOWS:

BLUE - 900 MHz
RED - 1800 MHz
GREEN - 2050 MHz

DIMENSIONS: mm (inches)

GA:1016-5 Issued: 050406

EUROPEAN ANTENNAS LTD.

Tel: +44 (0)1638 731888
Fax: +44 (0)1638 731999

LAMBDA HOUSE, CHEVELEY
NEWMARKET, SUFFOLK, CB8 9RG,
UNITED KINGDOM

E-Mail: sales@european-antennas.co.uk
Website: www.european-antennas.co.uk