



EUROPEAN ANTENNAS

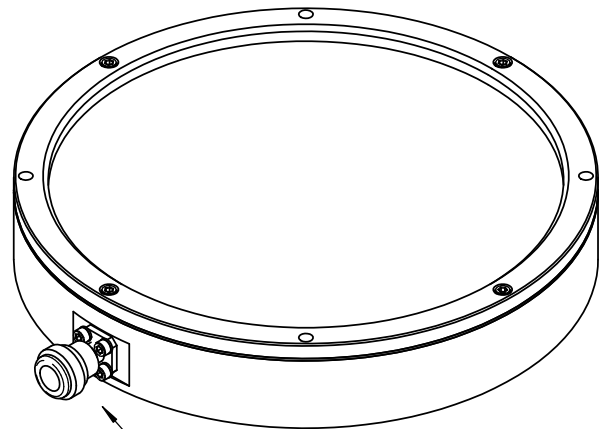
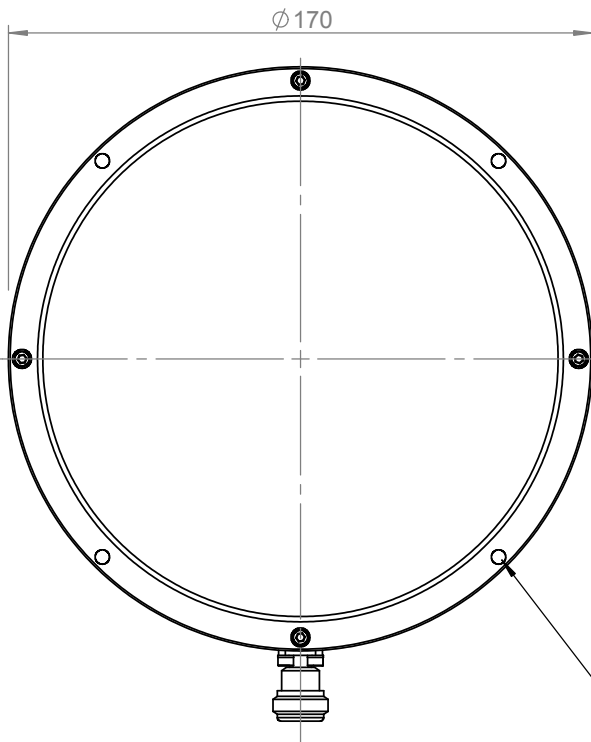
Excellence through design
Creative in concept

LOW PROFILE ANTENNA

MODEL: LPA7X-16R-D2/1178

FREQUENCY:	1.52 - 1.66 GHz	GAIN:	8 dBiC Typical
POLARISATION:	Right Hand Circular	BEAMWIDTH:	65° (Az.) x 70° (El.) Approx
AXIAL RATIO:	3 dB Typical.	VSWR:	1.5 : 1
POWER RATING:	15 W	FRONT TO BACK:	20 dB Minimum
TEMPERATURE:	-20° to +50°C	MASS:	400 g / 0.88 lbs Approx.
FINISH:	Matt Black all over.	WIND LOADING:	3.7 Kg / 8.1 lbs @ 100 mph

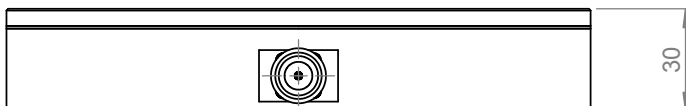
TOP VIEW



MOUNTED VIA
4 OFF ϕ 4.2 HOLES
EQUI-SPACED ON
163 (6.42) PCD

N(F) CONNECTOR

ISOMETRIC VIEW



REAR VIEW

DIMENSIONS: mm (inches) M

GA: 1178-1 Issued: 070904

EUROPEAN ANTENNAS LTD.

LAMBDA HOUSE, CHEVELEY
NEWMARKET, SUFFOLK, CB8 9RG,
UNITED KINGDOM

Tel: +44 (0)1638 731888
Fax: +44 (0)1638 731999

E-Mail: sales@european-antennas.co.uk
Website: www.european-antennas.co.uk