



EUROPEAN ANTENNAS

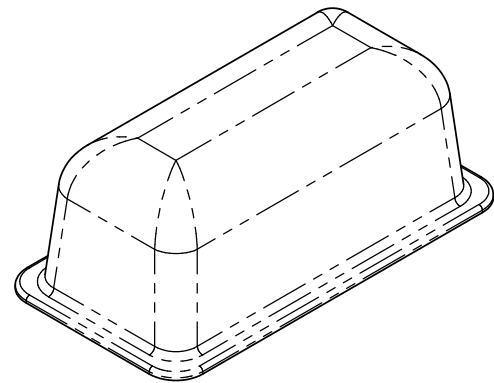
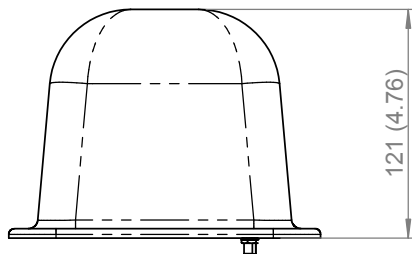
Excellence through design
Creative in concept

DUAL BAND CIRCULARLY POLARISED HEMI OMNI ANTENNA

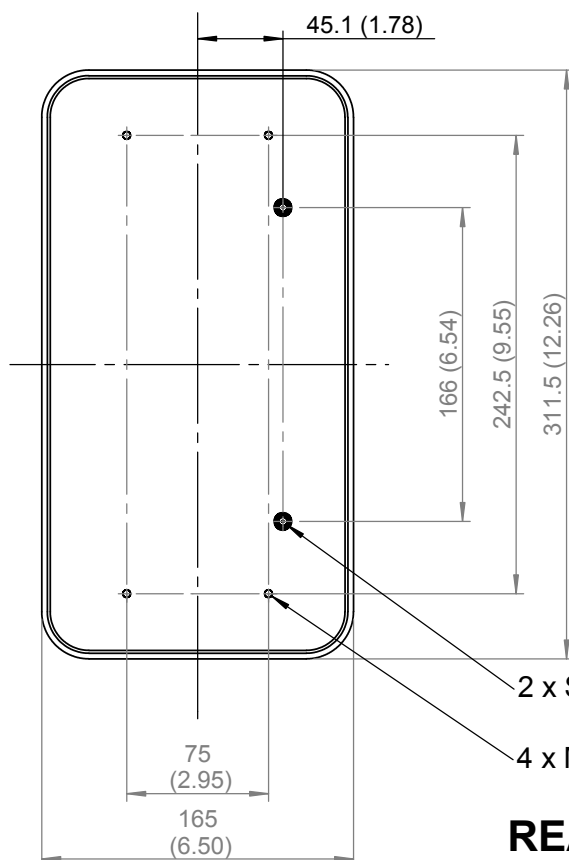
MODEL: DHOA2-9-18R-D1/1151

FREQUENCY:	870 - 960 MHz & 1710 - 1880 MHz	GAIN:	4.5 dBiC (870-960) & 4.0 dBiC (1710-1880)
POLARISATION:	Dual right hand circular	BEAMWIDTH:	360° x 105° (870-960) / 140° (1710-1880)
POWER RATING:	20 W	VSWR:	1.5 : 1 Max.
TEMPERATURE:	-20° to +50°C	MASS:	0.7 Kg / 1.54 lbs
FINISH:	White ABS Radome	WIND LOADING:	4.75 Kg/10.5 lbs @ 100 mph

END VIEW



PICTORIAL VIEW



2 x SMA(F) CONNECTORS

4 x M5.0 BLIND INSERTS

REAR VIEW

DIMENSIONS: mm (inches) L
GA: 1151-1 Issued: 250804

EUROPEAN ANTENNAS LTD.

Tel: +44 (0)1638 731888
Fax: +44 (0)1638 731999

LAMBDA HOUSE, CHEVELEY
NEWMARKET, SUFFOLK, CB8 9RG,
UNITED KINGDOM

E-Mail: sales@european-antennas.co.uk
Website: www.european-antennas.co.uk