



EUROPEAN ANTENNAS

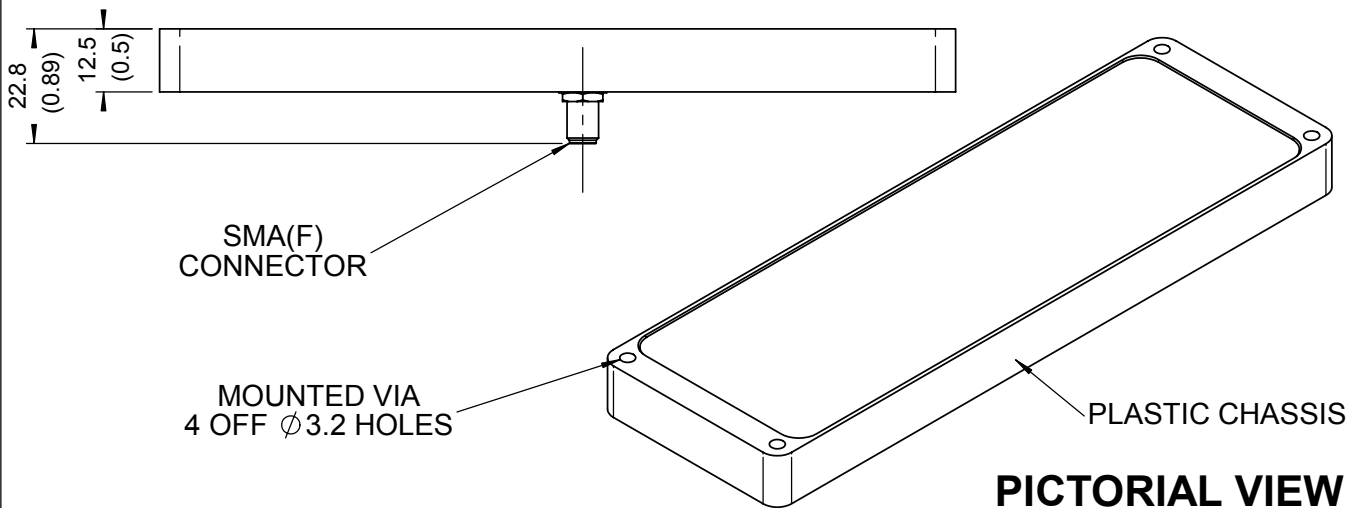
Excellence through design
Creative in concept

SECTOR ANTENNA

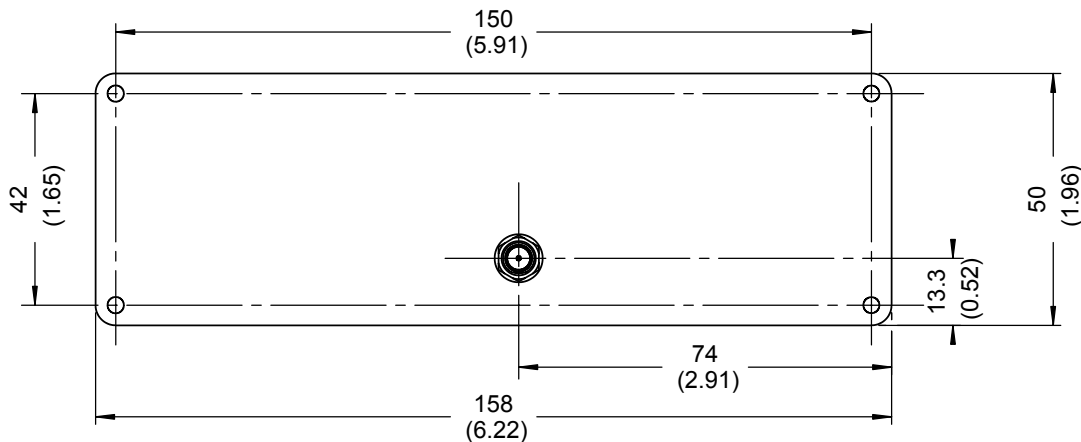
MODEL: SA13-60-61R/1057

FREQUENCY:	5.7 - 6.4 GHz	GAIN:	11 dBiC Typical
POLARISATION:	Right Hand Circular	BEAMWIDTH:	70° (Az.) x 20° (El.) Approx
AXIAL RATIO:	2 dB Typical Across HPBW	VSWR:	1.5 : 1
POWER RATING:	20 W	FRONT TO BACK:	15 dB Typical
TEMPERATURE:	-20° to +50°C	MASS:	90 g / 3.18 oz
FINISH:	White all over	WIND LOADING:	1.54 Kg / 3.4 lbs @ 100 mph

SIDE VIEW



PICTORIAL VIEW



REAR VIEW

DIMENSIONS: mm (inches) M	
GA: 1057-1	Issued: 150903

EUROPEAN ANTENNAS LTD.

Tel: +44 (0)1638 731888
Fax: +44 (0)1638 731999

LAMBDA HOUSE, CHEVELEY
NEWMARKET, SUFFOLK, CB8 9RG,
UNITED KINGDOM

E-Mail: sales@european-antennas.co.uk
Website: www.european-antennas.co.uk