



EUROPEAN ANTENNAS

Excellence through design
Creative in concept

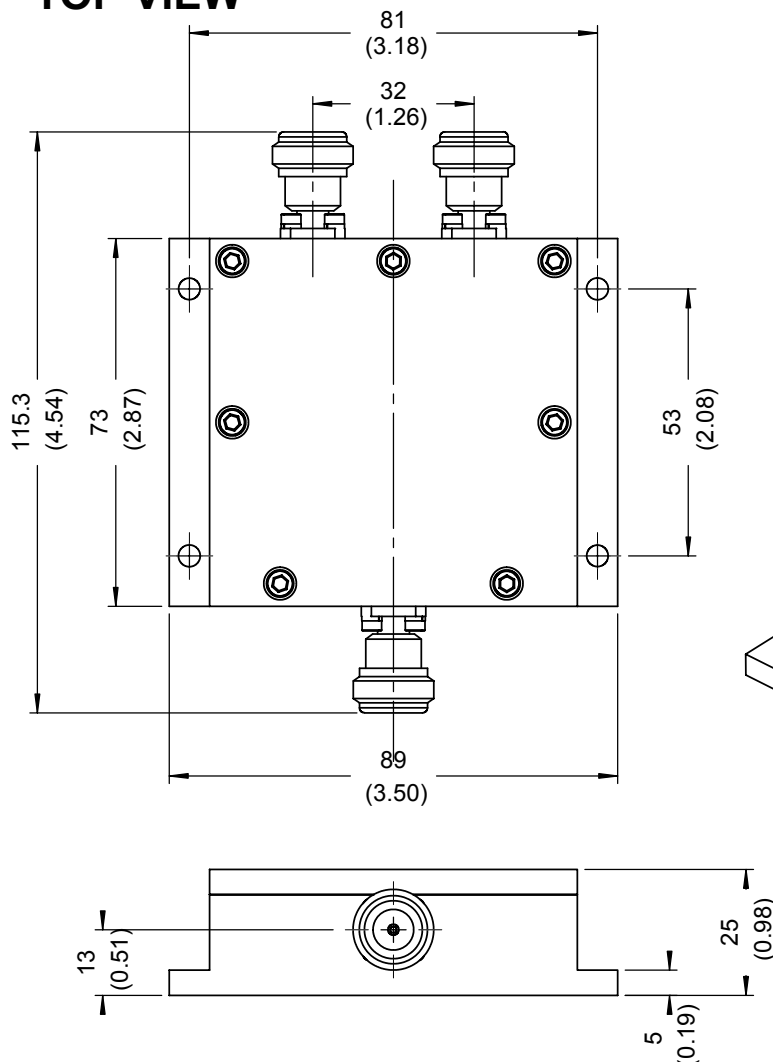
EQUAL POWER DIVIDER

MODEL: PDE-23/1012

FREQUENCY: 2.1 - 2.5 GHz
POWER RATING: 20 W
TEMPERATURE: -20° to +50°C

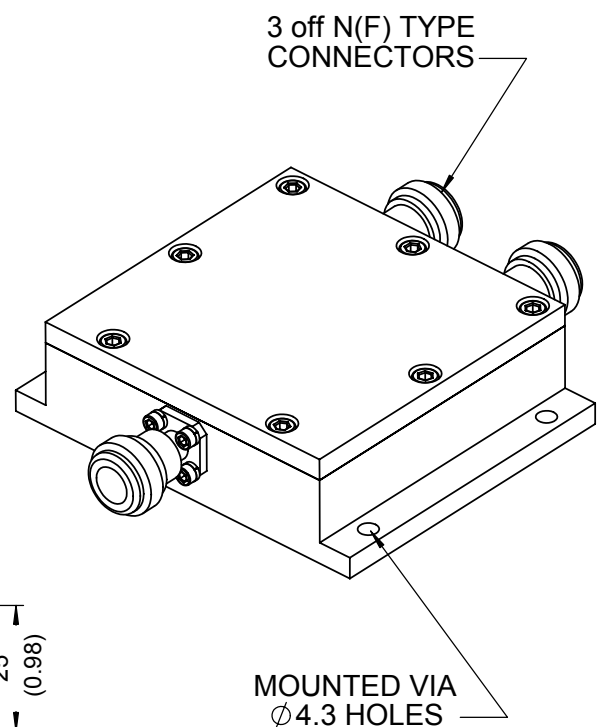
VSWR: 1.5 : 1
MASS: 390g / 0.86 lbs Approx.
FINISH: Matt Black

TOP VIEW



END VIEW

PICTORIAL VIEW



DIMENSIONS: mm (inches)	M
GA: 1012-1	Issued: 210703

EUROPEAN ANTENNAS LTD.

Tel: +44 (0)1638 731888
Fax: +44 (0)1638 731999

LAMBDA HOUSE, CHEVELEY
NEWMARKET, SUFFOLK, CB8 9RG,
UNITED KINGDOM

E-Mail: sales@european-antennas.co.uk
Website: www.european-antennas.co.uk

European Antennas Ltd. has a policy of continuous development and therefore stress that the data contained on this sheet should be used for guidance only.