



# EUROPEAN ANTENNAS

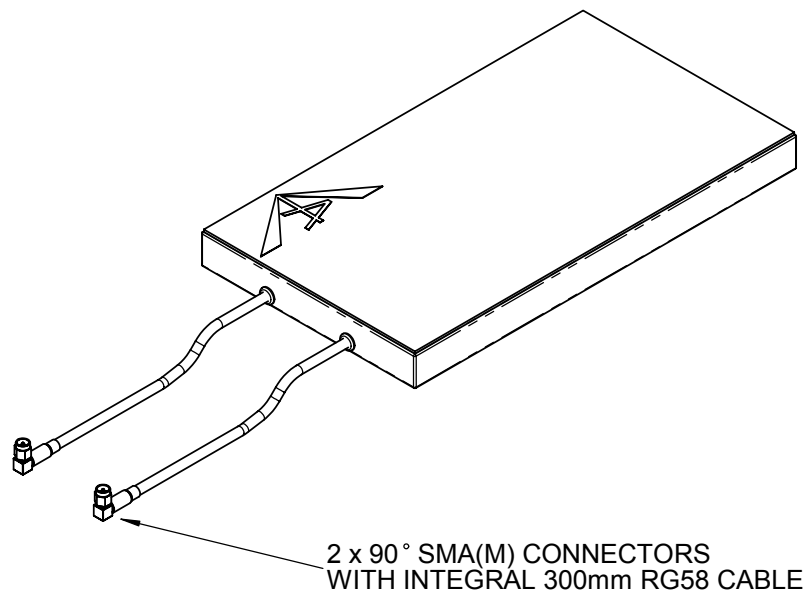
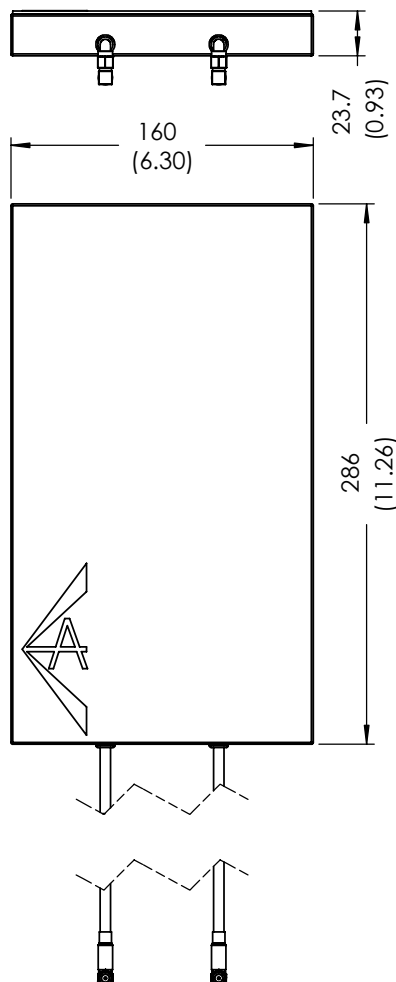
Excellence through design  
Creative in concept

## DUAL LOW PROFILE ANTENNA

### MODEL: DLPA5-850R-1945R/1070

<b>FREQUENCY:</b>	805-895 MHz & 1895-1990 MHz	<b>GAIN:</b>	6.0 dBiC (GSM) & 8.0 dBiC (DCS) Typ
<b>POLARISATION:</b>	2 x Right Hand Circular	<b>BEAMWIDTH: (Az x El)</b>	80° x 60° (GSM), 60° x 45° (DCS) Approx
<b>AXIAL RATIO:</b>	5 dB Typical	<b>VSWR:</b>	2.0:1
<b>POWER RATING:</b>	20 W	<b>FRONT TO BACK:</b>	20dB Typical
<b>TEMPERATURE:</b>	-20°C to +50°C	<b>MASS:</b>	610 g / 1.34 lbs
<b>FINISH:</b>	Matt Black	<b>WIND LOADING:</b>	5.5 Kg / 12.2 lbs @ 100 mph

### END VIEW



### ISOMETRIC VIEW

### FRONT VIEW

<b>DIMENSIONS:</b> mm (inches)	<b>M</b>
<b>GA:</b> 1070-1	<b>Issued:</b> 060803

EUROPEAN ANTENNAS LTD.

Tel: +44 (0)1638 731888  
Fax: +44 (0)1638 731999

LAMBDA HOUSE, CHEVELEY  
NEWMARKET, SUFFOLK, CB8 9RG,  
UNITED KINGDOM

E-Mail: [sales@european-antennas.co.uk](mailto:sales@european-antennas.co.uk)  
Website: [www.european-antennas.co.uk](http://www.european-antennas.co.uk)