



# EUROPEAN ANTENNAS

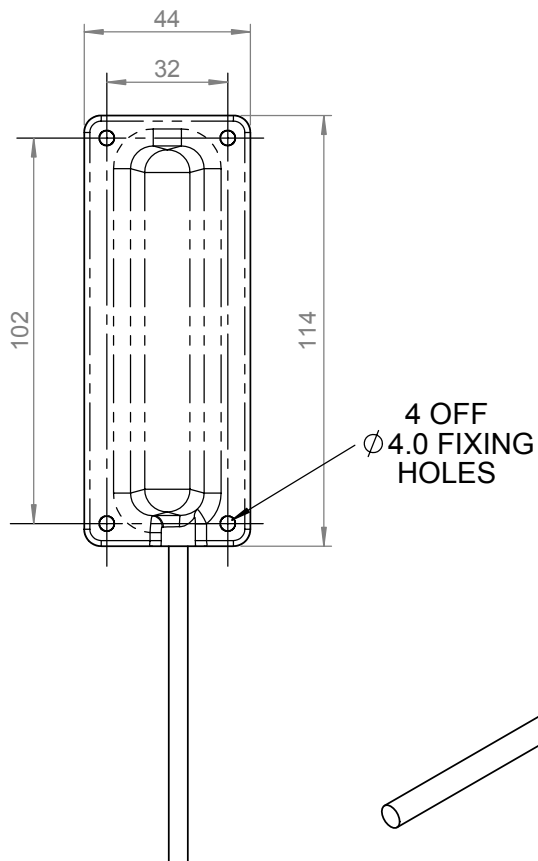
Excellence through design  
Creative in concept

## SECTOR ANTENNA

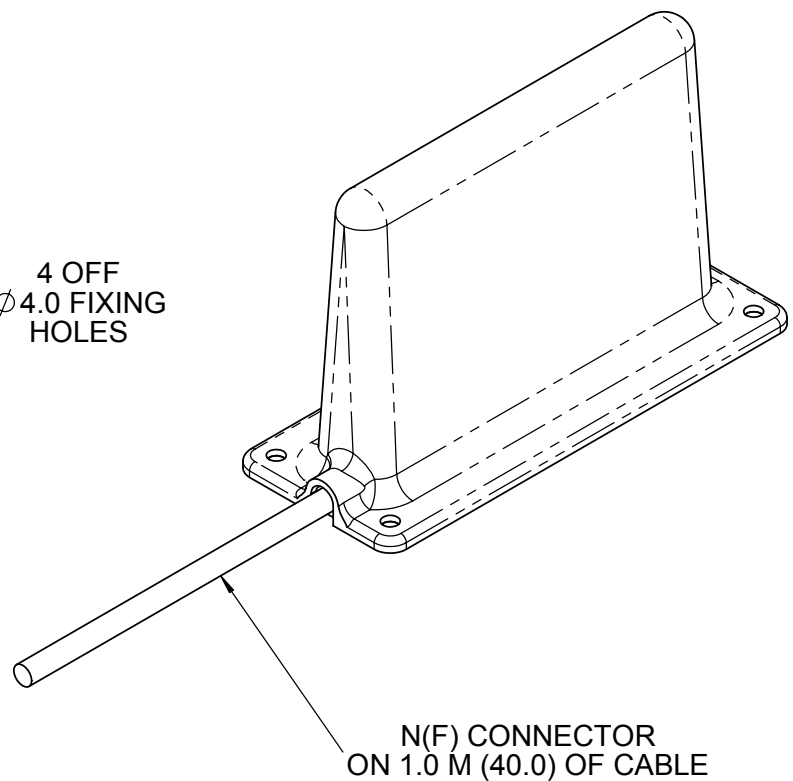
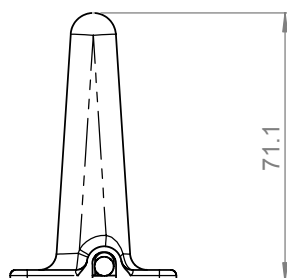
### MODEL: SA2-120-1940V/1027

<b>FREQUENCY:</b>	1.71 - 2.17 GHz	<b>GAIN:</b>	4 dBi Minimum
<b>POLARISATION:</b>	Linear (Vertical)	<b>BEAMWIDTH:</b>	140° (Azimuth) x 80° (Elevation) Approx.
<b>CROSS POLAR</b>	20 dB	<b>VSWR:</b>	2:1
<b>POWER RATING:</b>	20 W	<b>FRONT TO BACK:</b>	17 dB Approx
<b>TEMPERATURE:</b>	-20° to +50°C	<b>MASS:</b>	130 g / 4.59 oz
<b>FINISH:</b>	Matt White ABS	<b>WIND LOADING:</b>	N/A

**TOP VIEW**



**END VIEW**



**ISOMETRIC VIEW**

DIMENSIONS: mm (inches) H  
GA: 1027-1 Issued: 230703

EUROPEAN ANTENNAS LTD.

Tel: +44 (0)1638 731888  
Fax: +44 (0)1638 731999

LAMBDA HOUSE, CHEVELEY  
NEWMARKET, SUFFOLK, CB8 9RG,  
UNITED KINGDOM

E-Mail: [sales@european-antennas.co.uk](mailto:sales@european-antennas.co.uk)  
Website: [www.european-antennas.co.uk](http://www.european-antennas.co.uk)

European Antennas Ltd. has a policy of continuous development and therefore stress that the data contained on this sheet should be used for guidance only.