



# EUROPEAN ANTENNAS

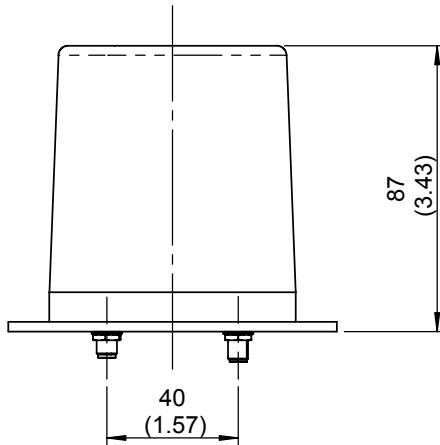
Excellence through design  
Creative in concept

## DUAL DIPOLE ANTENNA

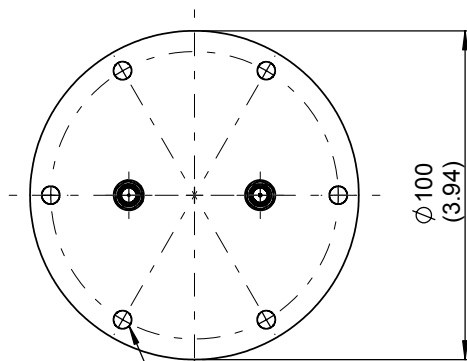
### MODEL: DEVD2-900V-1800V-502-D1/1003

|                      |                               |                       |                                 |
|----------------------|-------------------------------|-----------------------|---------------------------------|
| <b>FREQUENCY:</b>    | 880-960 & 1710-1880 MHz       | <b>GAIN:</b>          | 0 dBi Low Band, 2 dBi High Band |
| <b>POLARISATION:</b> | Linear (Vertical)             | <b>BEAMWIDTH:</b>     | 360° (Az.) x 75° (El.) Approx.  |
| <b>CROSS POLAR:</b>  | 5 dB & 12 dB Typical          | <b>VSWR:</b>          | 2.5:1 with 2.0:1 Band Center    |
| <b>POWER RATING:</b> | 2 x 10 W                      | <b>FRONT TO BACK:</b> | N/A                             |
| <b>TEMPERATURE:</b>  | -20° to +50°C                 | <b>MASS:</b>          | 270 g / 0.6 lbs                 |
| <b>FINISH:</b>       | White Radome/Alocrom1200 Base | <b>WIND LOADING:</b>  | 1.07 Kg / 2.36 lbs @ 100 mph    |

### SIDE VIEW



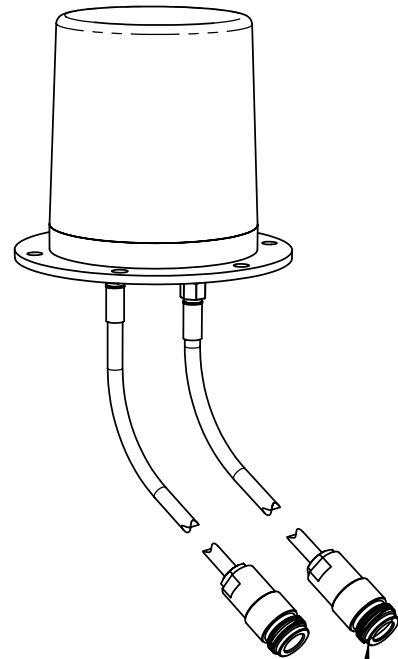
CABLES NOT SHOWN  
FOR CLARITY



MOUNTING VIA 6,  $\phi$  5.5 HOLES  
EQUI SP. ON 87.5 PCD

### BASE VIEW

### PICTORIAL VIEW



300mm (11.8") WHITE RG223 CABLES  
WITH N(F) CONNECTORS

|                                |                |
|--------------------------------|----------------|
| <b>DIMENSIONS:</b> mm (inches) | H              |
| GA: 1003-1                     | Issued: 120303 |

EUROPEAN ANTENNAS LTD.

Tel: +44 (0)1638 731888  
Fax: +44 (0)1638 731999

LAMBDA HOUSE, CHEVELEY  
NEWMARKET, SUFFOLK, CB8 9RG,  
UNITED KINGDOM

E-Mail: [sales@european-antennas.co.uk](mailto:sales@european-antennas.co.uk)  
Website: [www.european-antennas.co.uk](http://www.european-antennas.co.uk)

European Antennas Ltd. has a policy of continuous development and therefore stress that the data contained on this sheet should be used for guidance only.