



EUROPEAN ANTENNAS

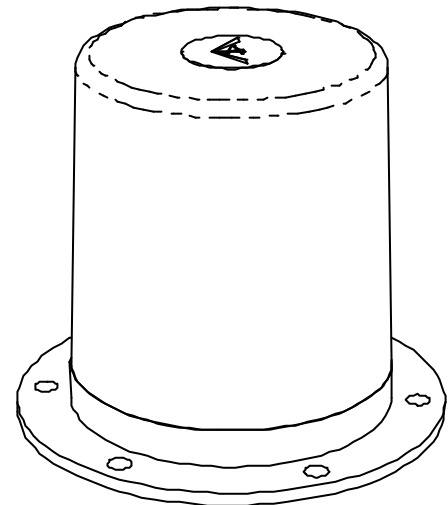
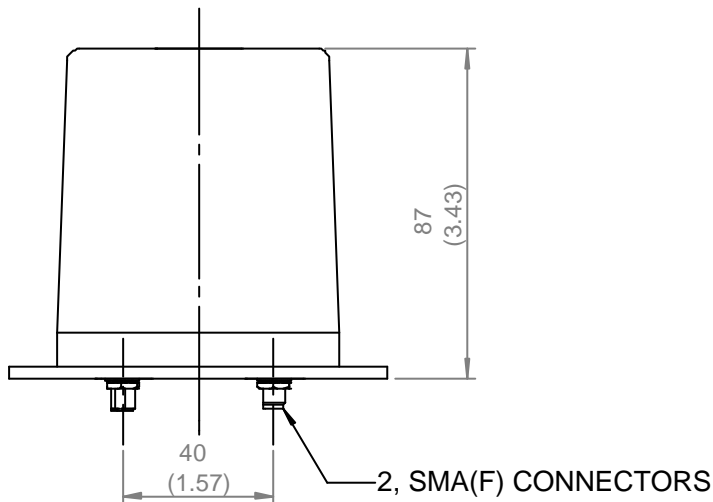
Excellence through design
Creative in concept

DUAL DIPOLE ANTENNA

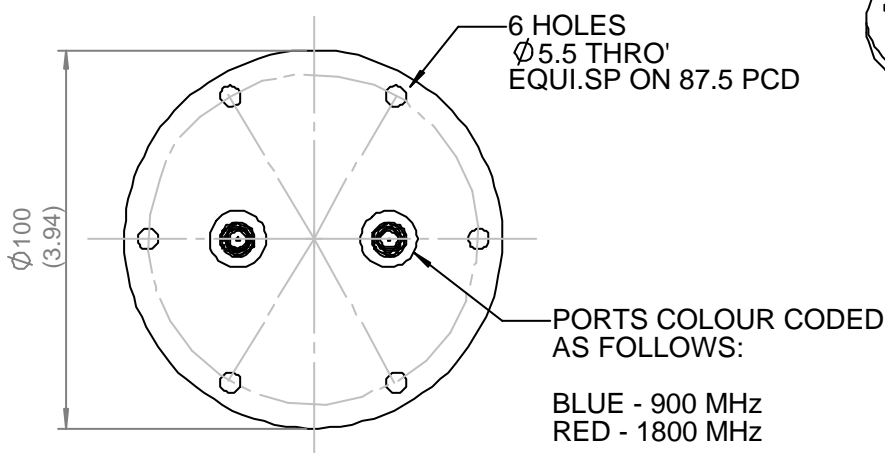
MODEL: DEVD2-900V-1800V-502-D2/1004

FREQUENCY:	880-960MHz & 1.71-1.88GHz	GAIN:	0dBi Low Band, 2dBi High Band
POLARISATION:	Linear (Vertical)	BEAMWIDTH:	360° (Azimuth) x 75° (Elevation)
CROSS POLAR:	5 dB, 12dB Typical	VSWR:	2.5:1 Band Edges, 2.0:1 Band Centre
POWER RATING:	2 x 10 W	FRONT TO BACK:	N/A
TEMPERATURE:	-20° to +50°C	MASS:	150g / 5.3 oz
FINISH:	White Polypropylene	WIND LOADING:	1.07Kg / 2.36lbs @ 100 mph

SIDE VIEW



PICTORIAL VIEW



BASE VIEW

DIMENSIONS: mm (inches) M
GA: 1004 - 1 Issued: 181202

EUROPEAN ANTENNAS LTD.

Tel: +44 (0)1638 731888
Fax: +44 (0)1638 731999

LAMBDA HOUSE, CHEVELEY
NEWMARKET, SUFFOLK, CB8 9RG,
UNITED KINGDOM

E-Mail: sales@european-antennas.co.uk
Website: www.european-antennas.co.uk