



# EUROPEAN ANTENNAS

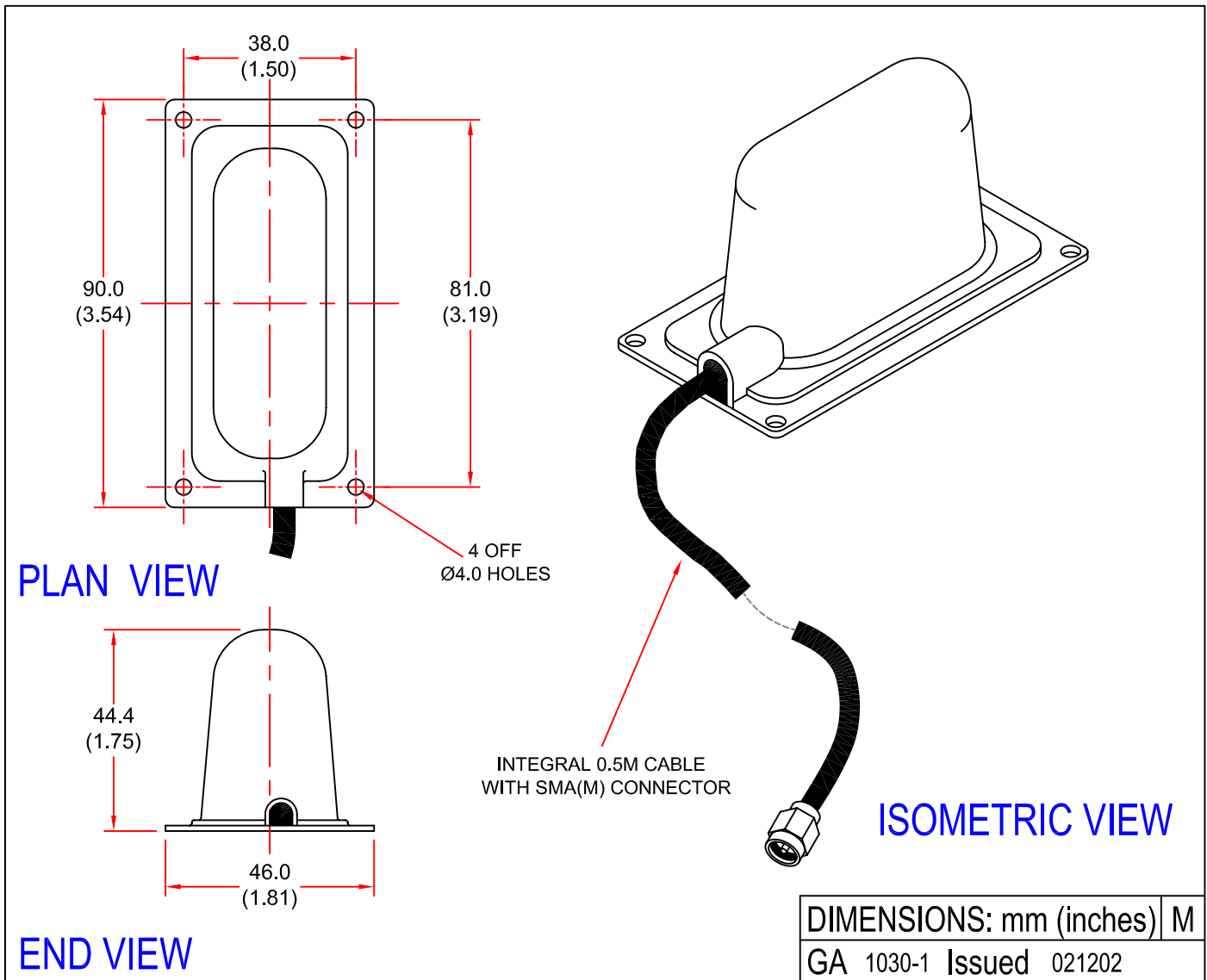
Excellence through design  
Creative in concept



## BLADE ANTENNA

MODEL: HDA-2050-D2/1030

FREQUENCY:	1.920 - 2.175 GHz	GAIN:	4.5 dBi Nominal
POLARISATION:	Linear (Vertical)	BEAMWIDTH:	150° (Elevation) x 80° (Azimuth)
CROSS POLAR:	> 20 dB Typical	VSWR:	2:1 Maximum
POWER RATING:	5 W	FRONT TO BACK:	> 8 dB
TEMPERATURE:	-20° to +50°C	MASS:	100 g / 4 oz
RADOME:	Gloss White ABS	WIND LOADING:	N/A



EUROPEAN ANTENNAS LTD.

TEL: +44 (0)1638 731888  
FAX: +44 (0)1638 731999

LAMBDA HOUSE, CHEVELEY,  
NEWMARKET, SUFFOLK, CB8 9RG,  
UNITED KINGDOM.

E-Mail: sales@european-antennas.co.uk  
Website: www.european-antennas.co.uk