

SA17-60-112VH/992

COBHAM

Sector Antenna

The most important thing we build is trust

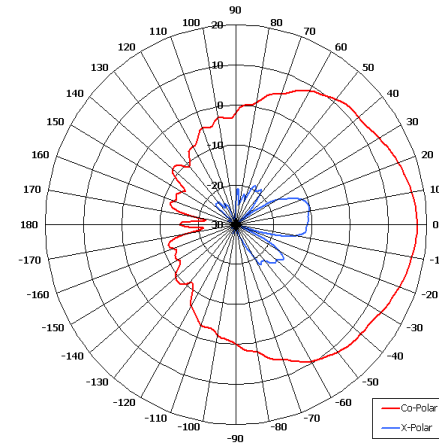
Designed for Broadcast Applications

Suitable for Multiple Applications

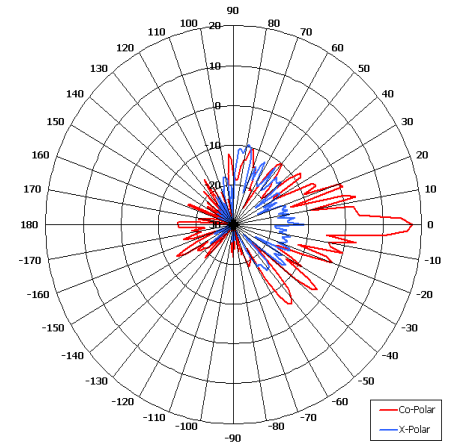
Dual Linear Polarisation

High Gain

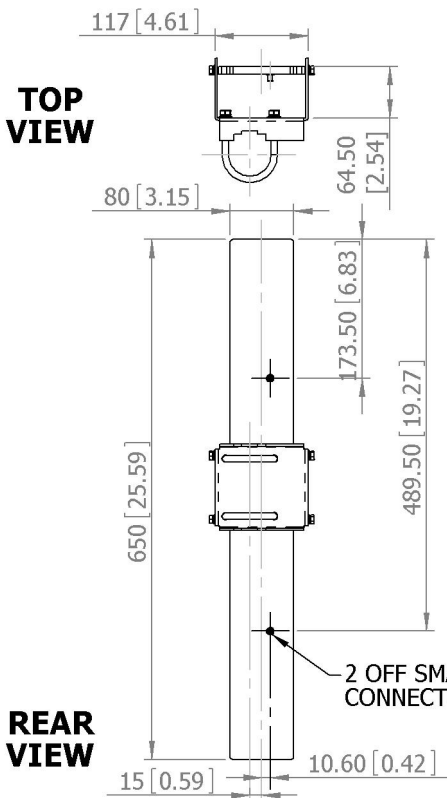
Low Profile



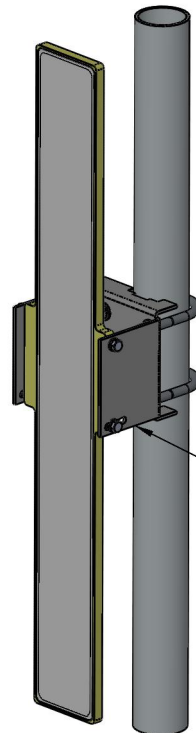
Azimuth Pattern (H Port)



Elevation Pattern (H Port)



GA: 0992



ADJUSTABLE MOUNTING KIT FOR +5° / -10° IN ELEVATION

FITS 2" POLES

ELECTRICAL

Frequency	10.70 - 11.70 GHz
Gain	17 dBi Nom
Polarisation	Dual Linear (V & H)
Beamwidth	60° (Az) x 5° (El) Approx
Cross Polar	20 dB Min
VSWR	2:1 Band Edges, 1.5:1 Typ
Power Rating	2x 20W
Front to Back	25 dB Min

MECHANICAL

Standard Finish	Gloss White/Alocrom 1200
Mass	1.4 Kg (3.1 lbs) (incl Mtg Kit)
Temperature	-40° to +60°C
Wind Loading	8.42 Kg (18.55 lbs) @ 100mph

MOUNTING OPTIONS

Kits Available	Included
See separate data sheets	

ADDITIONAL NOTES

Issued 280111

European Antennas Limited trading as Cobham Antenna Systems, Microwave Antennas

European Antennas Limited has a policy of continuous development and stress that the information provided is a guide only and does not constitute an offer or contract or part thereof. Whilst every effort is made to ensure the accuracy of the information contained in this brochure, no responsibility can be accepted for any errors or omissions.

The copyright of antenna designs and images is copyright protected and owned by European Antennas Limited.
©European Antennas Limited

For further information please contact:

Cobham Antenna Systems, Microwave Antennas
Lambda House, Cheveley,
Newmarket, Suffolk CB8 9RG, UK.
Tel +44 (0)1638 732 177
Fax +44 (0) 1638 731999
Email newmarket.sales@cobham.com