

SBA4-3450/987

COBHAM

Omni Blade Antenna

The most important thing we build is trust

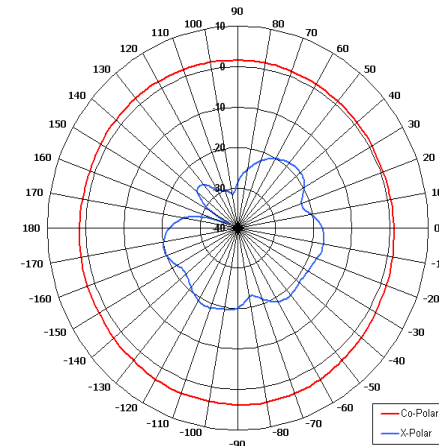
Designed for Commercial Telemetry Applications

Pattern - Omni Directional

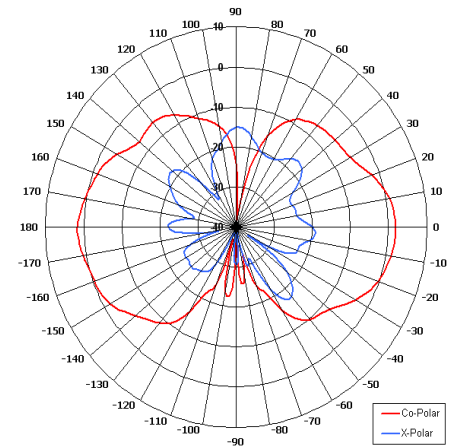
Lightweight

Rugged

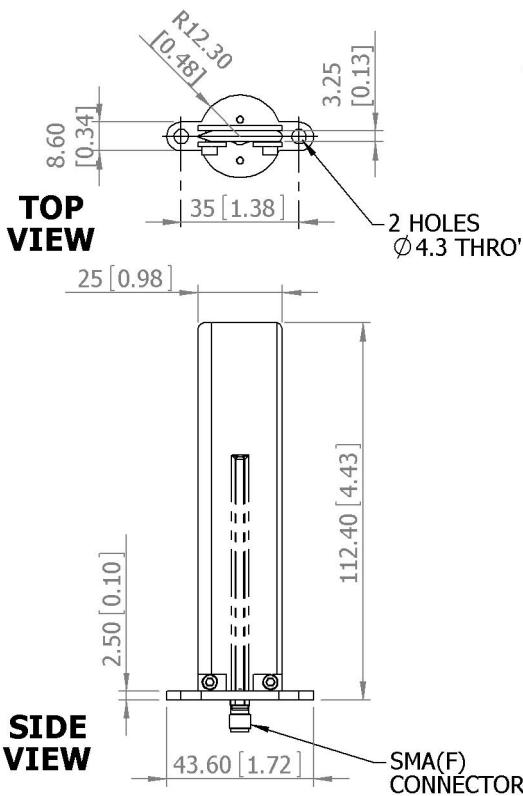
Low Profile



Azimuth Pattern



Elevation Pattern



GA: 0987

ELECTRICAL

| | |
|---------------|-----------------------------|
| Frequency | 3.375 - 3.750 GHz |
| Gain | 4 dBi Nom |
| Polarisation | Linear (Vertical) |
| Beamwidth | 360° (Az) x 40° (El) Approx |
| Cross Polar | 20 dB Typ |
| VSWR | 2.5:1 |
| Power Rating | 10 W |
| Front to Back | N/A |

MECHANICAL

| | |
|-----------------|---------------|
| Standard Finish | Matt Black |
| Mass | 23 g (0.8 oz) |
| Temperature | -20° to +50°C |
| Wind Loading | N/A |

MOUNTING OPTIONS

| | |
|--------------------------|-----|
| Kits Available | N/A |
| See separate data sheets | |

ADDITIONAL NOTES

Issued 060111

European Antennas Limited trading as Cobham Antenna Systems, Microwave Antennas

European Antennas Limited has a policy of continuous development and stress that the information provided is a guide only and does not constitute an offer or contract or part thereof. Whilst every effort is made to ensure the accuracy of the information contained in this brochure, no responsibility can be accepted for any errors or omissions.

The copyright of antenna designs and images is copyright protected and owned by European Antennas Limited.
©European Antennas Limited

For further information please contact:

Cobham Antenna Systems, Microwave Antennas
Lambda House, Cheveley,
Newmarket, Suffolk CB8 9RG, UK.
Tel +44 (0)1638 732 177
Fax +44 (0) 1638 731999
Email newmarket.sales@cobham.com