

SVD2-2500/869

COBHAM

Slim Omni Antenna

The most important thing we build is trust

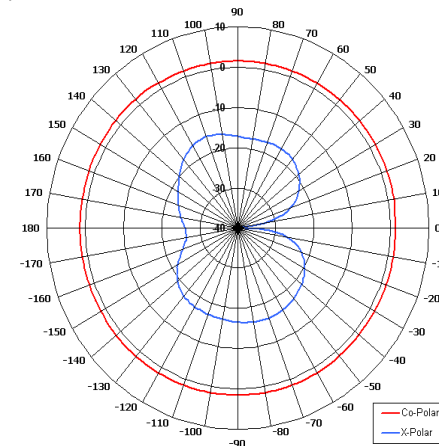
Designed for Multiple Applications

Suitable for Mobile Applications

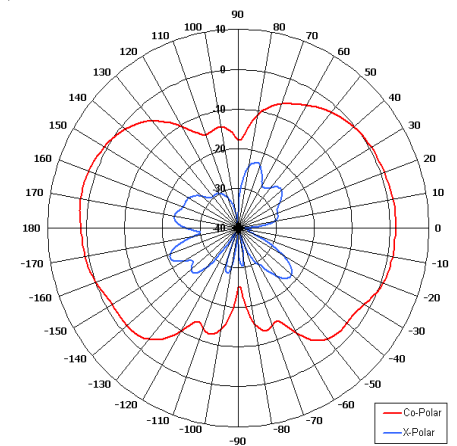
Compact

Lightweight

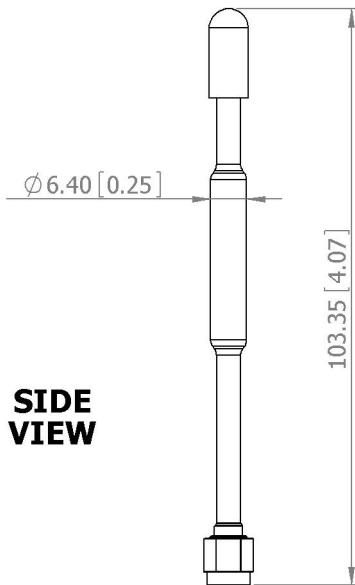
Ground Plane Independent



Azimuth Pattern



Elevation Pattern



SIDE VIEW

BASE VIEW



SMA(M) CONNECTOR

GA: 0869

ELECTRICAL

Frequency	2.38 - 2.61 GHz
Gain	2 dBi Nom
Polarisation	Linear (Vertical)
Beamwidth	360° (Az) x 80° (El) Approx
Cross Polar	15 dB Min
VSWR	2.0:1 max
Power Rating	5 W
Front to Back	N/A

MECHANICAL

Standard Finish	Matt Black
Mass	7 g (0.25 oz)
Temperature	-20° to +50°C
Wind Loading	N/A

MOUNTING OPTIONS

Kits Available	N/A
See separate data sheets	

ADDITIONAL NOTES

Issued 140510

European Antennas Limited trading as Cobham Antenna Systems, Microwave Antennas

European Antennas Limited has a policy of continuous development and stress that the information provided is a guide only and does not constitute an offer or contract or part thereof. Whilst every effort is made to ensure the accuracy of the information contained in this brochure, no responsibility can be accepted for any errors or omissions.

The copyright of antenna designs and images is copyright protected and owned by European Antennas Limited.
©European Antennas Limited

For further information please contact:

Cobham Antenna Systems, Microwave Antennas
Lambda House, Cheveley,
Newmarket, Suffolk CB8 9RG, UK.
Tel +44 (0)1638 732 177
Fax +44 (0) 1638 731999
Email newmarket.sales@cobham.com