

LPA7-TRI-FL-D3/956

COBHAM

Directional Antenna

The most important thing we build is trust

Designed for DAS Applications

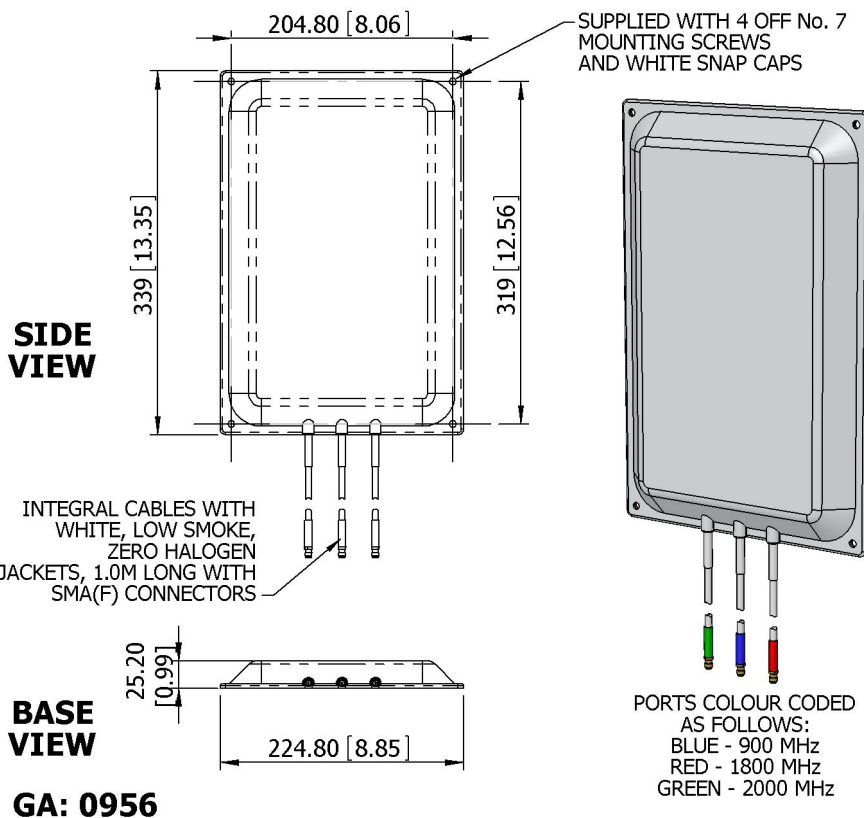
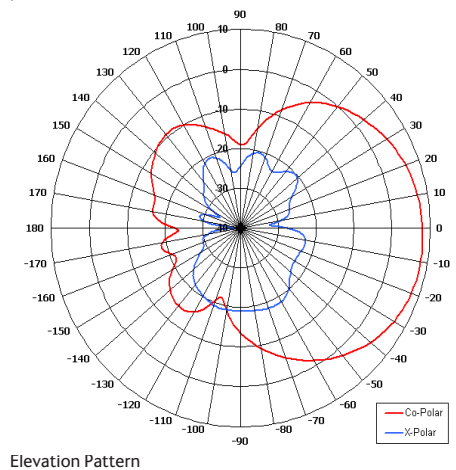
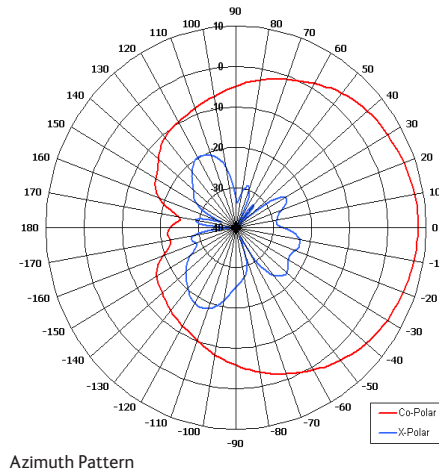
Tri-Band Cellular Antenna

Vertical Polarisation

Low Profile

Integrated Cable Options

Colour & Connector Options



GA: 0956

ELECTRICAL

Frequency	880 - 960 MHz 1710-1880 MHz 1920-2175 MHz
Gain	7 dBi Nom
Polarisation	Linear (Vertical)
Beamwidth	80° (Az) x 80° (El) Approx
Cross Polar	15 dB Typ
VSWR	2:1 Max
Power Rating	10 W
Front to Back	20 dB Typ

MECHANICAL

Standard Finish	White Radome/Alcrom Baseplate
Mass	0.9 Kg (2.0 lbs)
Temperature	-20° to +50°C
Wind Loading	12.3 Kg (27.2 lbs) @ 100 mph

MOUNTING OPTIONS

Kits Available	N/A
See separate data sheets	

ADDITIONAL NOTES

Issued 060111

European Antennas Limited trading as Cobham Antenna Systems, Microwave Antennas

European Antennas Limited has a policy of continuous development and stress that the information provided is a guide only and does not constitute an offer or contract or part thereof. Whilst every effort is made to ensure the accuracy of the information contained in this brochure, no responsibility can be accepted for any errors or omissions.

The copyright of antenna designs and images is copyright protected and owned by European Antennas Limited.
 ©European Antennas Limited

For further information please contact:

Cobham Antenna Systems, Microwave Antennas
 Lambda House, Cheveley,
 Newmarket, Suffolk CB8 9RG, UK.
 Tel +44 (0)1638 732 177
 Fax +44 (0) 1638 731999
 Email newmarket.sales@cobham.com