

# FLAT PANEL ANTENNA

## FPA22-58V-701/935

### ELECTRICAL

FREQUENCY:	5.725 - 5.825 GHz
GAIN:	22 dBi Nominal
POLARISATION:	Linear (Vertical)
BEAMWIDTH:	10° (Az) x 10° (El)
CROSS POLAR:	25 dB Min.
VSWR:	1.5:1
POWER RATING:	10 W
FRONT TO BACK:	>40 dB

### MECHANICAL

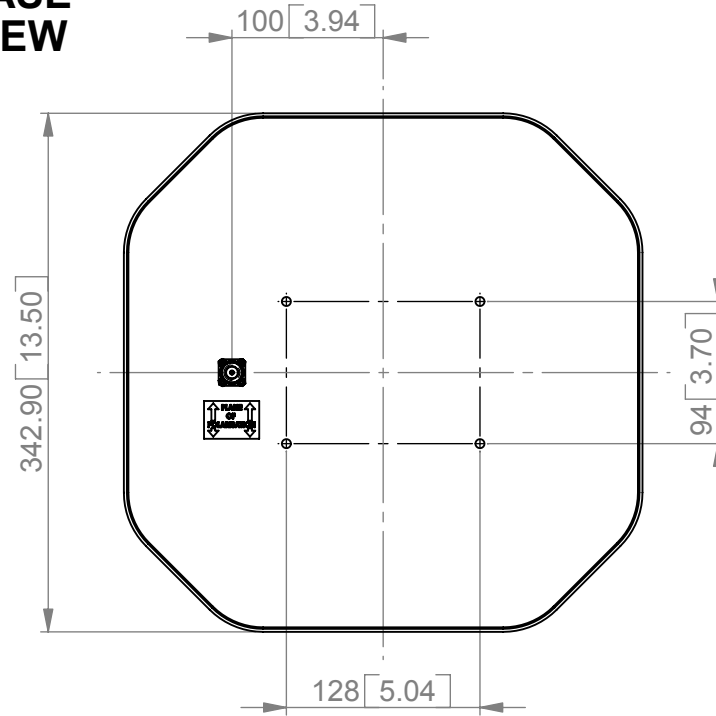
STANDARD FINISH:	White Radome
MASS:	1.0 kg / 2.2 lbs Approx.
TEMPERATURE:	-40° to +60°C
WIND LOADING:	17.0 kg / 37.5 lbs @ 100 mph

### MOUNTING OPTIONS

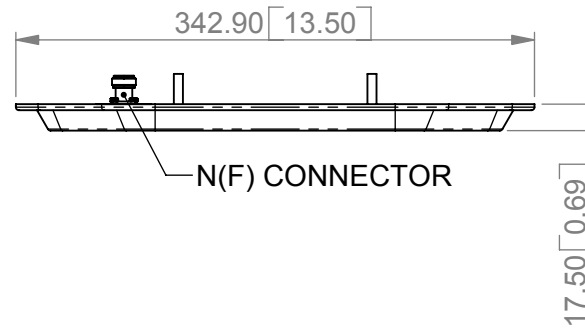
KITS AVAILABLE: MK156A

See Separate Data Sheets

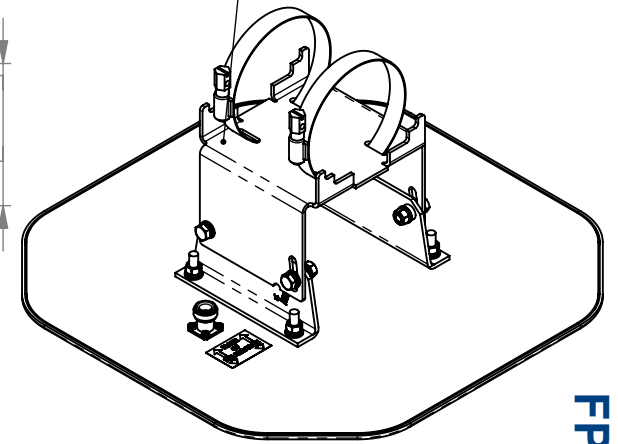
**BASE VIEW**



**SIDE VIEW**



ISOMETRIC VIEW SHOWS OPTIONAL MK156A MOUNTING KIT



**ISOMETRIC VIEW**

GA: 935-2 Issued: 121207  
DIMENSIONS: mm [inches]

FPA22-58V-701/935

European Antennas Ltd. has a policy of continuous development and therefore stress that the data contained on this sheet should be used for guidance only.

European Antennas Ltd. is part of the Cobham Antennas Division