



EUROPEAN ANTENNAS

Excellence through design
Creative in concept

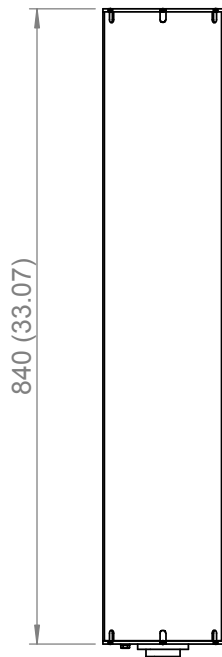
BASE STATION SECTOR ANTENNA

MODEL: SA15-120V-35B-D3/801

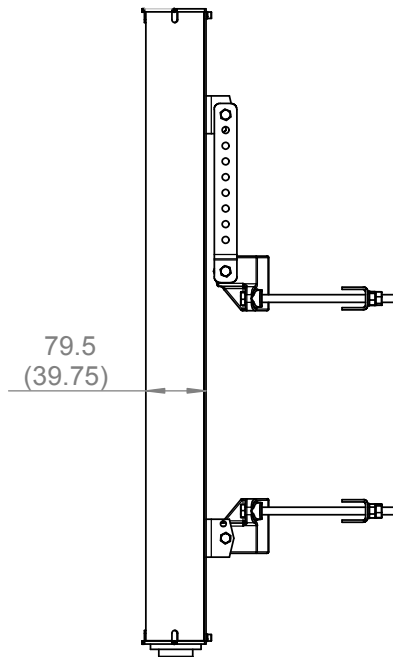
CONFORMS TO ETSI EN 302 085 V1.1.1 CLASS CS 2, ASYMMETRIC ELEVATION

| | | | |
|----------------------|-------------------------|-----------------------------|--------------------------------------|
| FREQUENCY: | 3.40 - 3.72 GHz | GAIN: | 15.0 dBi Peak & >12.0 dBi over 120° |
| POLARISATION: | Linear (Vertical) | BEAMWIDTH: | 120° (Azimuth) x 7° (Elevation) |
| CROSS POLAR: | 25 dB Minimum | VSWR: | 2.0 : 1 Maximum |
| POWER RATING: | 50 W | FRONT TO BACK: | 30 dB Minimum |
| TEMPERATURE: | -40° to +60°C | MASS: | 7.0 Kg/15.4 lbs (Including Mtg. Kit) |
| RADOME: | Gloss Grey/Glass Fibre | WIND LOADING: | 21.7 Kg/47.7 lbs @ 100 mph |
| VRP: | 1st Null Fill >-25.0 dB | ELECTRICAL DOWNTILT: | 2° |

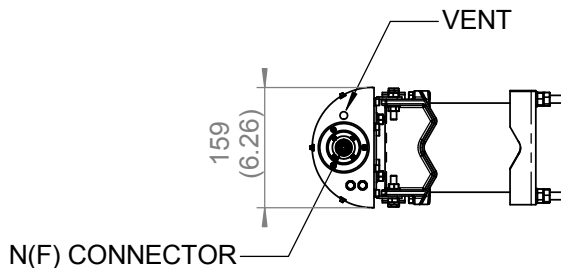
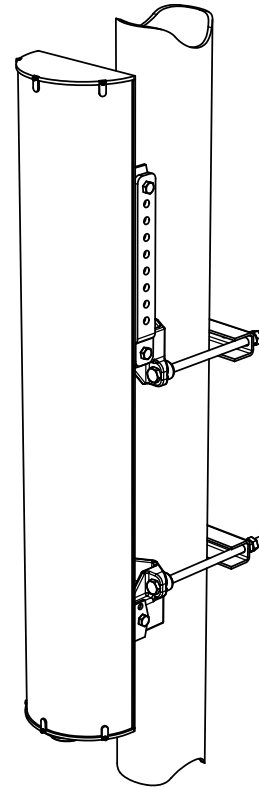
FRONT VIEW



SIDE VIEW



PICTORIAL VIEW



END VIEW

MOUNTING KIT (INCLUDED)
ADJUSTABLE TO
+21° IN ELEVATION
& SUITS POLE SIZES
40mm (1.6") TO 120mm (4.7")

NOTE: PRODUCT D.C. GROUNDED

| | |
|-------------------------|----------------|
| DIMENSIONS: mm (inches) | H |
| GA: 0801-4 | Issued: 070904 |

EUROPEAN ANTENNAS LTD.

Tel: +44 (0)1638 731888
Fax: +44 (0)1638 731999

LAMBDA HOUSE, CHEVELEY
NEWMARKET, SUFFOLK, CB8 9RG,
UNITED KINGDOM

E-Mail: sales@european-antennas.co.uk
Website: www.european-antennas.co.uk