



EUROPEAN ANTENNAS

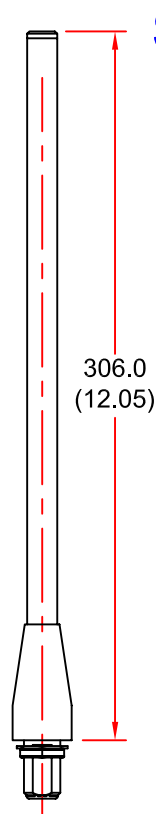
Excellence through design
Creative in concept



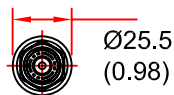
HEAVY DUTY DIPOLE ANTENNA

MODEL: EVD2-785/847

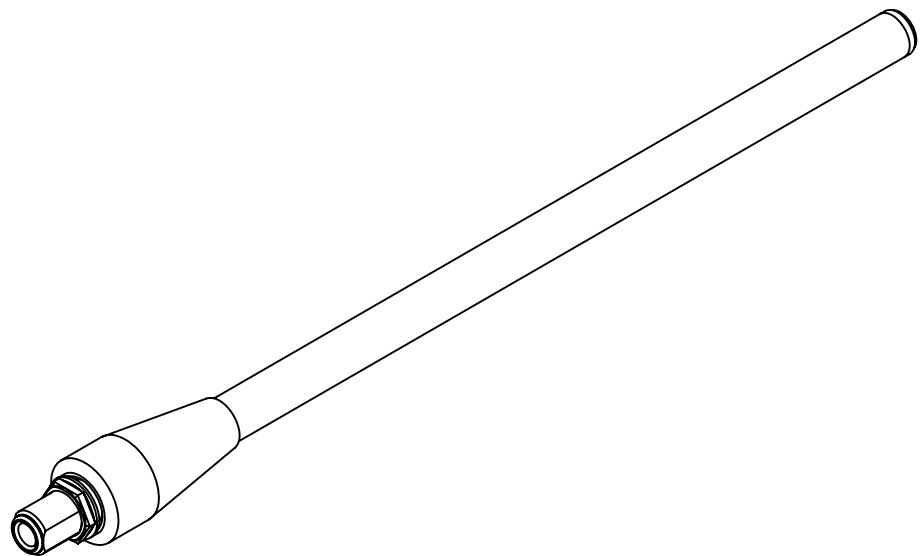
| | | | |
|---------------|-------------------|----------------|----------------------------|
| FREQUENCY: | 735 - 835 MHz | GAIN: | 2 dBi |
| POLARISATION: | Linear (Vertical) | BEAMWIDTH: | 360° (EI) x 80° (Az) |
| CROSS POLAR: | 15 - 20 dB | VSWR: | 2.0 : 1 |
| POWER RATING: | 5 W | FRONT TO BACK: | N/A |
| TEMPERATURE: | -20°C to +50°C | MASS: | 100g / 0.22 lbs |
| FINISH: | Matt Black | WIND LOADING: | 0.58Kg / 1.28lbs @ 100 mph |



SIDE VIEW



END VIEW



N (F) CONNECTOR

ISOMETRIC VIEW

DIMENSIONS: mm (inches)

GA 847 - 2 Issued 060804

EUROPEAN ANTENNAS LTD.

LAMBDA HOUSE, CHEVELEY,
NEWMARKET, SUFFOLK, CB8 9RG,
UNITED KINGDOM.

TEL: +44 (0)1638 731888

FAX: +44 (0)1638 731999

E-Mail: sales@european-antennas.co.uk

Website: www.european-antennas.co.uk

European Antennas Ltd. has a policy of continuous development and therefore stress that the data contained on this sheet should be used for guidance only.