



EUROPEAN ANTENNAS

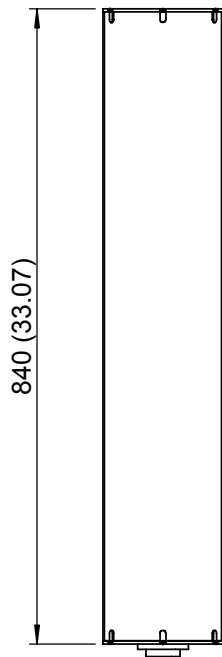
Excellence through design
Creative in concept

BASE STATION SECTOR ANTENNA

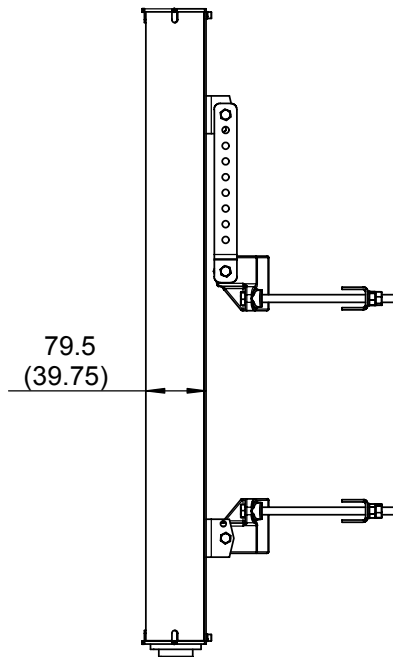
MODEL: SA14-90-35R/941

FREQUENCY:	3.30 - 3.60 GHz	GAIN:	14 dBiC Nominal
POLARISATION:	R.H. Circular	BEAMWIDTH:	90° (Az.) x 10° (El.) Approx.
AXIAL RATIO:	4 dB Nominal	VSWR:	1.5 : 1 Max.
POWER RATING:	50 W	FRONT TO BACK:	30 dB Minimum
TEMPERATURE:	-40° to +60°C	MASS:	7 Kg / 15.4 lbs (Inc. Mtg. Kit)
RADOME:	Gloss Grey - Glass Fibre	WIND LOADING:	21.7 Kg / 47.7 lbs @ 100 mph

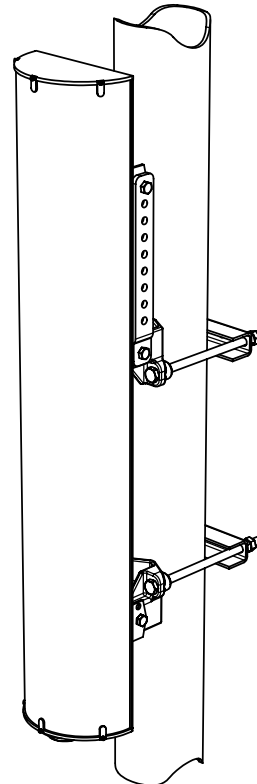
FRONT VIEW



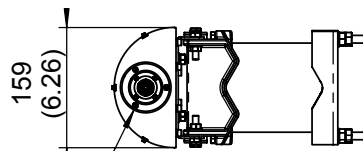
SIDE VIEW



PICTORIAL VIEW



WATER INGRESS
PROTECTION IP65



N(F) CONNECTOR

END VIEW

MOUNTING KIT (INCLUDED)
ADJUSTABLE TO
+21° IN ELEVATION
& SUITS POLE SIZES
40mm (1.6") TO 120mm (4.7")

DIMENSIONS: mm (inches)	H
GA: 0941-3	Issued: 220405

EUROPEAN ANTENNAS LTD.

Tel: +44 (0)1638 731888
Fax: +44 (0)1638 731999

LAMBDA HOUSE, CHEVELEY
NEWMARKET, SUFFOLK, CB8 9RG,
UNITED KINGDOM

E-Mail: sales@european-antennas.co.uk
Website: www.european-antennas.co.uk