



EUROPEAN ANTENNAS

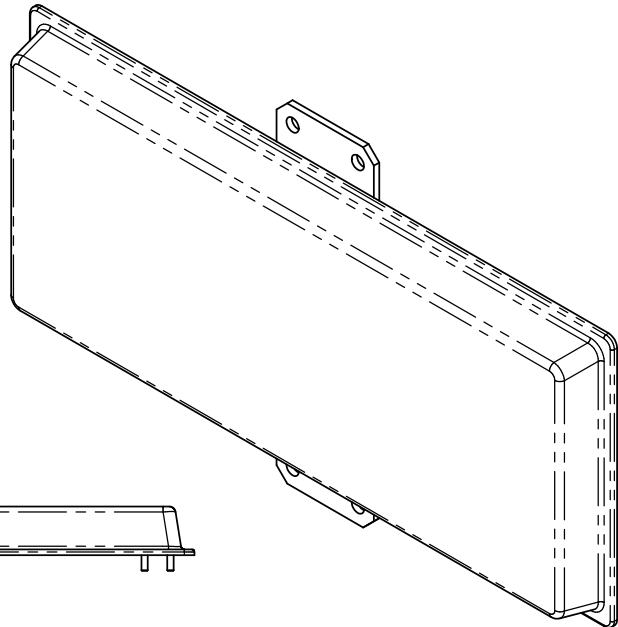
Excellence through design
Creative in concept

FLAT PANEL ANTENNA

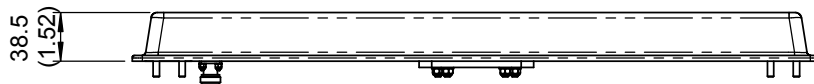
MODEL: FPA16-18V/923

FREQUENCY:	1.71 - 1.88 GHz	GAIN:	16 dBi Nominal
POLARISATION:	Linear (Vertical)	BEAMWIDTH:	18° (Azimuth) x 36° (Elevation)
CROSS POLAR:	>20 dB	VSWR:	1.5:1
POWER RATING:	10 W	FRONT TO BACK:	>20dB
TEMPERATURE:	-20° to +50°C	MASS:	2.0 Kg / 4.4 lbs
FINISH:	White Radome/Alocrom 1200	WIND LOADING:	20.6 Kg / 45.4 lbs @ 100 mph

ISOMETRIC VIEW



TOP VIEW

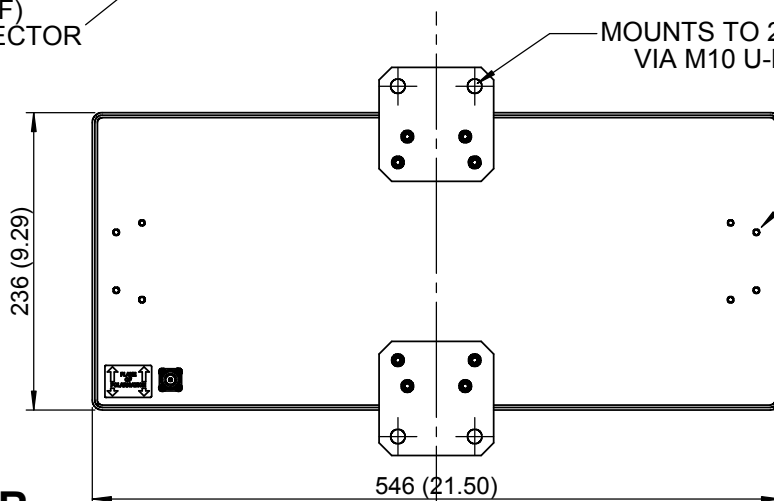


N(F)
CONNECTOR

MOUNTS TO 2.0" POLE
VIA M10 U-BOLTS

ALTERNATIVE
MOUNTING POINTS

REAR VIEW



DIMENSIONS: mm (inches)

GA:923-2 Issued: 140504

EUROPEAN ANTENNAS LTD.

Tel: +44 (0)1638 731888
Fax: +44 (0)1638 731999

LAMBDA HOUSE, CHEVELEY
NEWMARKET, SUFFOLK, CB8 9RG,
UNITED KINGDOM

E-Mail: sales@european-antennas.co.uk
Website: www.european-antennas.co.uk