



# EUROPEAN ANTENNAS

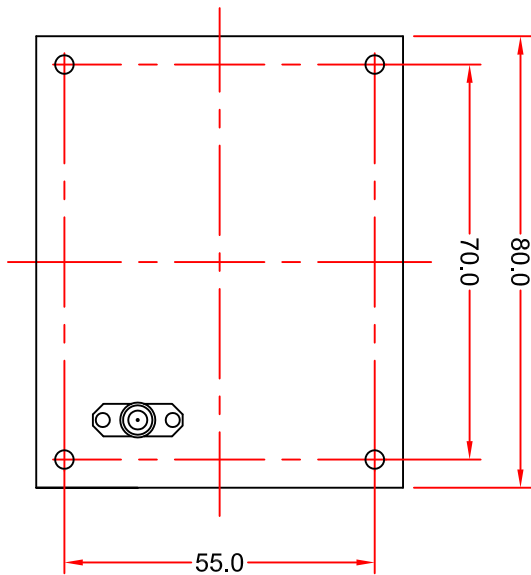
Excellence through design  
Creative in concept



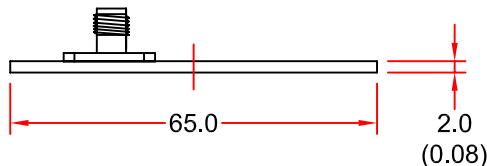
## PATCH ANTENNA

MODEL: PA5-2420L/886

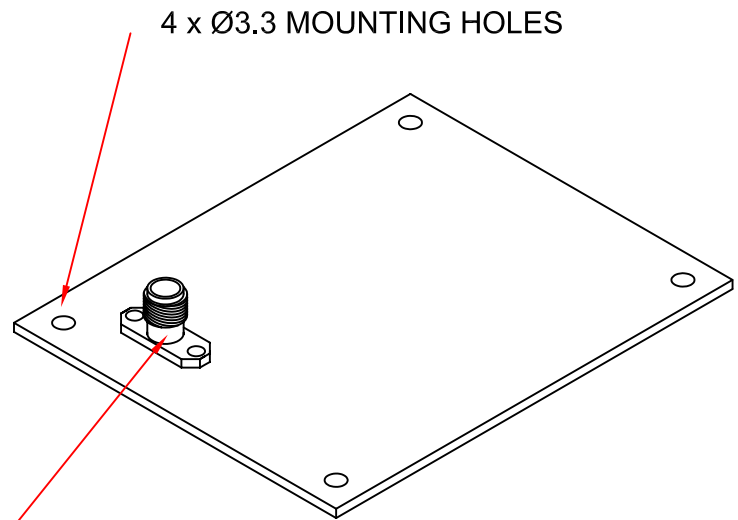
FREQUENCY:	2.42 GHz ( $\pm$ 20 MHz)	GAIN:	5 dBiC
POLARISATION:	L.H. Circular	BEAMWIDTH:	100° (Az) x 100° (Ei)
AXIAL RATIO:	3dB at F	VSWR:	2 : 1
POWER RATING:	10 W	FRONT TO BACK:	14 dB
TEMPERATURE:	-20°C to +50°C	MASS:	100 g
FINISH:	Matt Black	WIND LOADING:	N/A



REAR VIEW



BASE VIEW



ISOMETRIC VIEW

DIMENSIONS: mm (inches)

GA 0886-1 Issued 051001

EUROPEAN ANTENNAS LTD.

LAMBDA HOUSE, CHEVELEY,  
NEWMARKET, SUFFOLK, CB8 9RG,  
UNITED KINGDOM.

TEL: +44 (0)1638 731888  
FAX: +44 (0)1638 731999

E-Mail: [sales@european-antennas.co.uk](mailto:sales@european-antennas.co.uk)  
Website: [www.european-antennas.co.uk](http://www.european-antennas.co.uk)