



EUROPEAN ANTENNAS

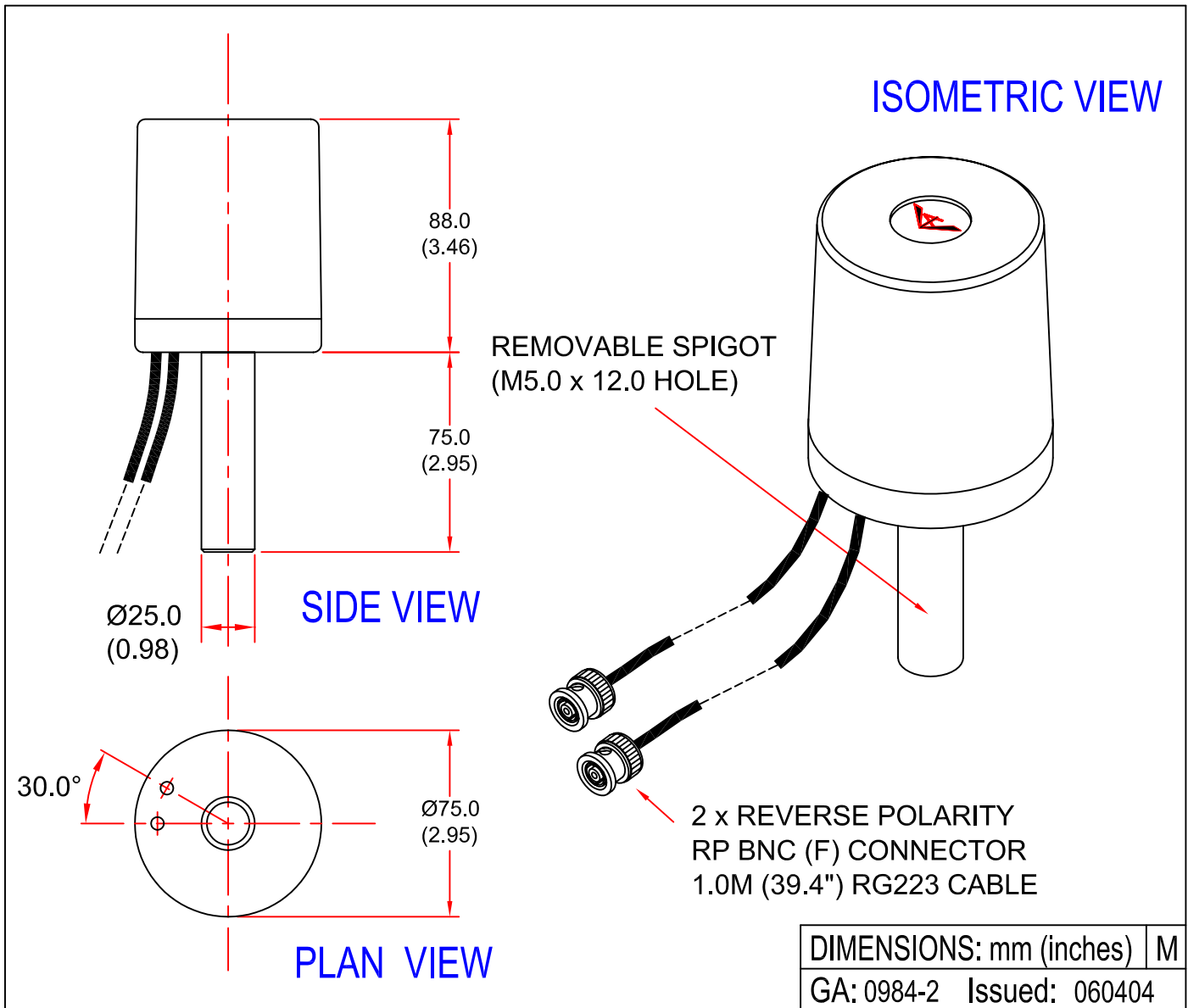
Excellence through design
Creative in concept



WIRELESS LAN DIVERSITY ANTENNA

MODEL: DSO3-2460-502-D2/984

FREQUENCY:	2.40 - 2.50 GHz	GAIN:	1.0 dBi (Including cables losses).
POLARISATION:	Linear (Dual Slant $\pm 45^\circ$)	BEAMWIDTH:	360° x 90° (Both Ports)
INTERPORT ISOLATION:	20 dB	VSWR:	2 : 1
TEMPERATURE:	-20°C to +50°C	MASS:	560 g / 1.2 lbs
RADOME:	Beige Rigid Polymer	WIND LOADING:	1.1 Kg/2.4 lbs @100 mph



EUROPEAN ANTENNAS LTD.

TEL: +44 (0)1638 731888
FAX: +44 (0)1638 731999

LAMBDA HOUSE, CHEVELEY,
NEWMARKET, SUFFOLK, CB8 9RG,
UNITED KINGDOM.

E-Mail: sales@european-antennas.co.uk
Website: www.european-antennas.co.uk