



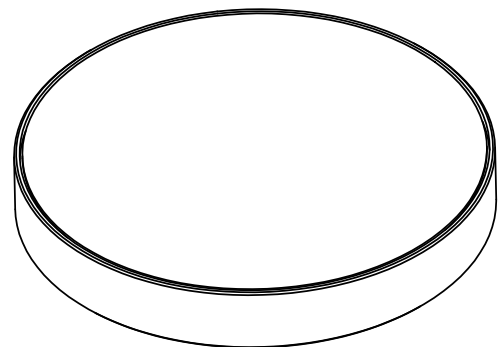
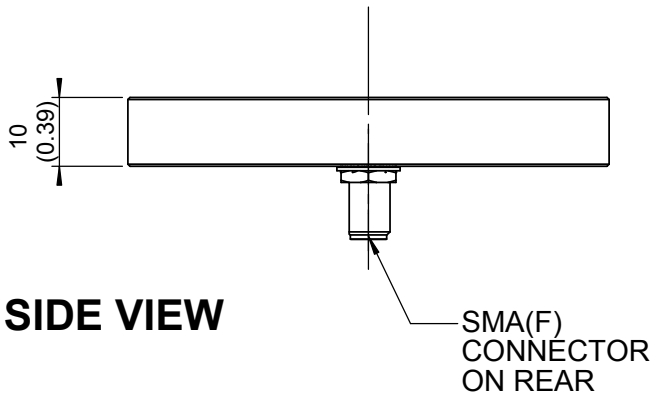
# EUROPEAN ANTENNAS

Excellence through design  
Creative in concept

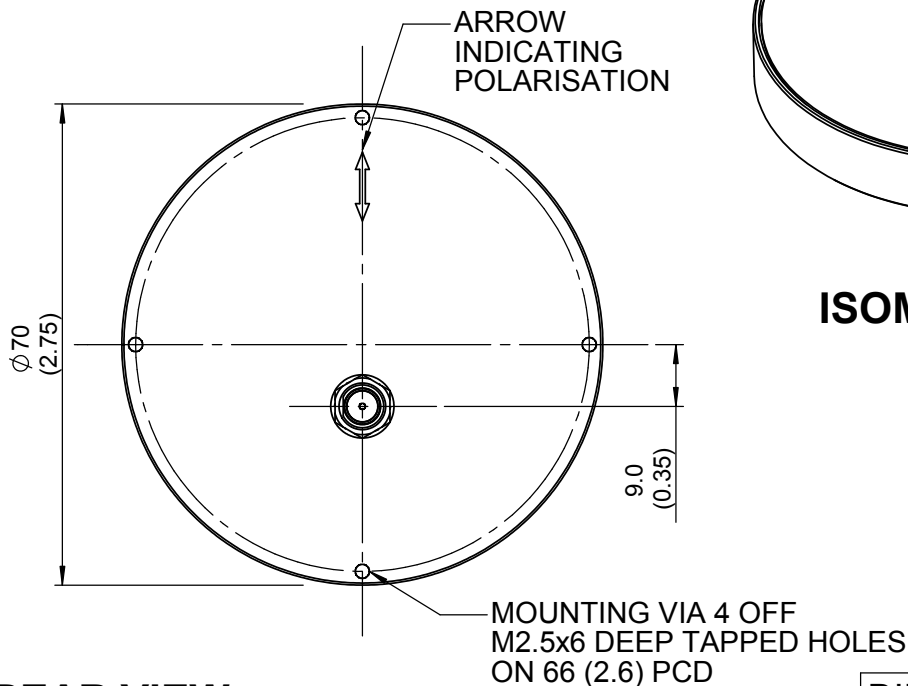
## FLAT PANEL ANTENNA

### MODEL: FPA13-84V/1000

<b>FREQUENCY:</b>	8.2 - 8.6 GHz	<b>GAIN:</b>	13 dBi Nominal
<b>POLARISATION:</b>	Linear (Vertical)	<b>BEAMWIDTH:</b>	35° (Az.) x 35° (El.) Approx.
<b>CROSS POLAR:</b>	15 dB Typical	<b>VSWR:</b>	1.5:1
<b>POWER RATING:</b>	20 W	<b>FRONT TO BACK:</b>	25 dB Worst case
<b>TEMPERATURE:</b>	-20° to +50°C	<b>MASS:</b>	55 g / 1.9 oz
<b>FINISH:</b>	Matt Black All Over	<b>WIND LOADING:</b>	0.62 Kg / 1.37 lbs @ 100 mph



**ISOMETRIC VIEW**



**REAR VIEW**

**DIMENSIONS:** mm (inches)

**GA:1000 - 2 Issued:140104**

EUROPEAN ANTENNAS LTD.

Tel: +44 (0)1638 731888  
Fax: +44 (0)1638 731999

LAMBDA HOUSE, CHEVELEY  
NEWMARKET, SUFFOLK, CB8 9RG,  
UNITED KINGDOM

E-Mail: [sales@european-antennas.co.uk](mailto:sales@european-antennas.co.uk)  
Website: [www.european-antennas.co.uk](http://www.european-antennas.co.uk)