



EUROPEAN ANTENNAS

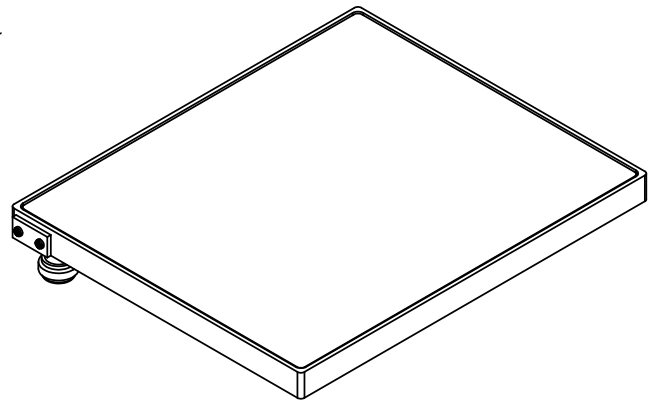
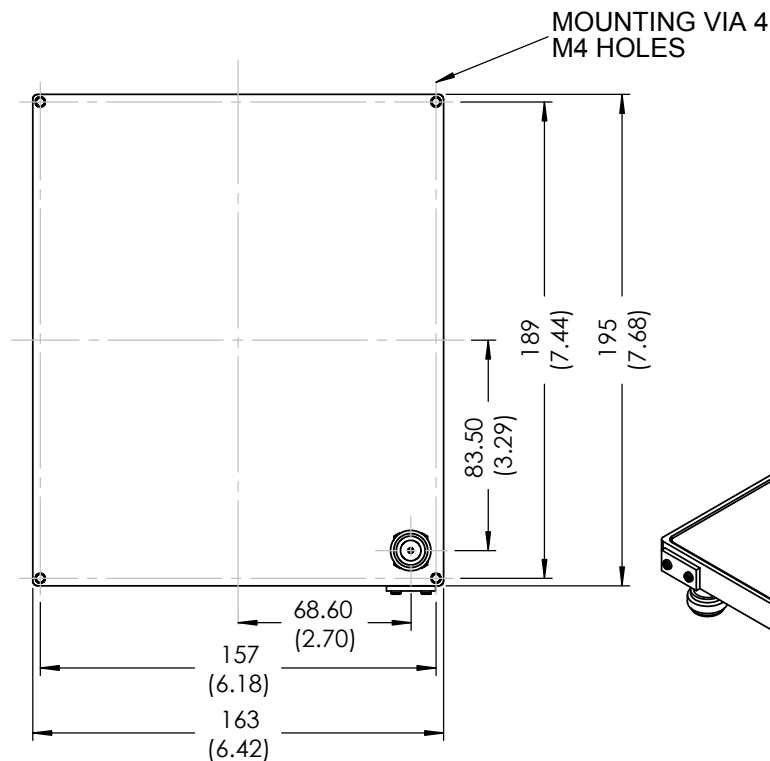
Excellence through design
Creative in concept

FLAT PANEL ANTENNA

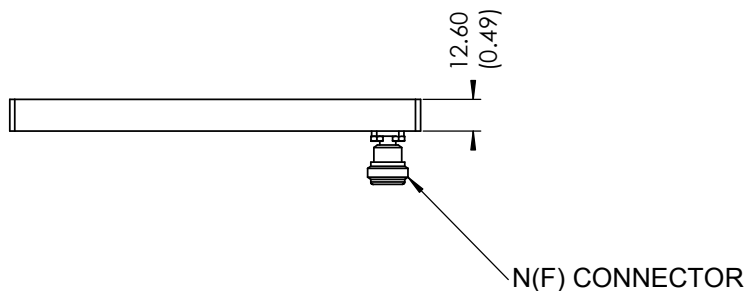
MODEL: FPA13-24L-D4/894

FREQUENCY:	2.30 - 2.60 GHz	GAIN:	13 dBiC Nom
POLARISATION:	L.H.Circular	BEAMWIDTH:	40° (Az) x 40° (El)
AXIAL RATIO:	3 dB Typ	VSWR:	1.5:1
POWER RATING:	10 W	FRONT TO BACK:	> 20 dB
TEMPERATURE:	-20°C to +50°C	MASS:	0.5 Kg / 1.1 lbs
FINISH:	Matt Black	WIND LOADING:	5.15 Kg / 11.34 lbs @ 100 mph

REAR VIEW



ISOMETRIC VIEW



END VIEW

DIMENSIONS: mm (inches)

GA: 0894-1 Issued:111201

EUROPEAN ANTENNAS LTD.

LAMBDA HOUSE, CHEVELEY
NEWMARKET, SUFFOLK, CB8 9RG,
UNITED KINGDOM

Tel: +44 (0)1638 731888
Fax: +44 (0)1638 731999

E-Mail: sales@european-antennas.co.uk
Website: www.european-antennas.co.uk