



EUROPEAN ANTENNAS

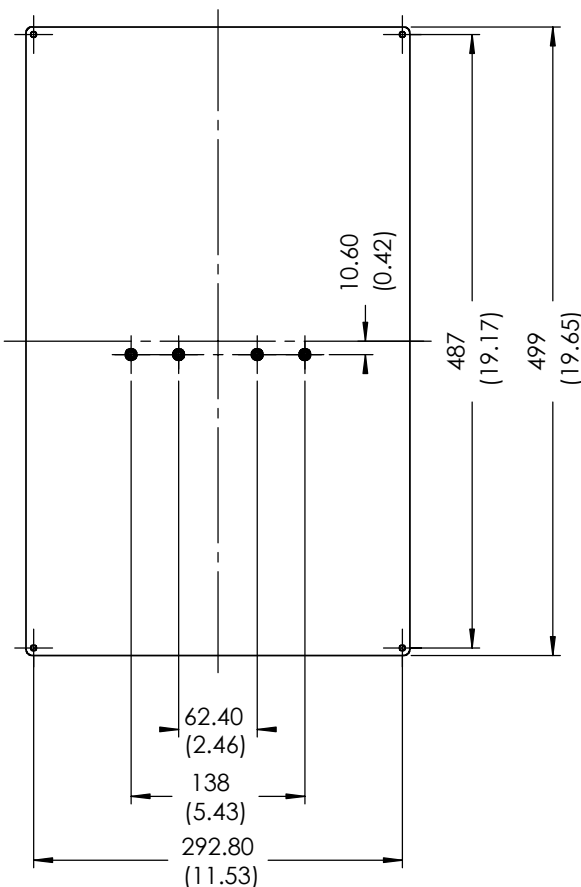
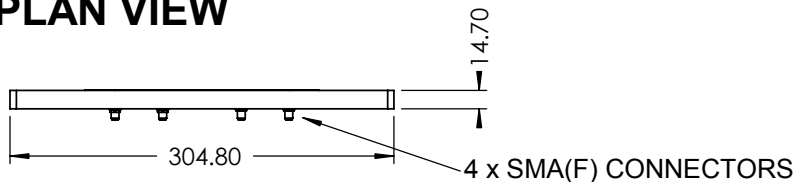
Excellence through design
Creative in concept

MULTI SECTOR ANTENNA

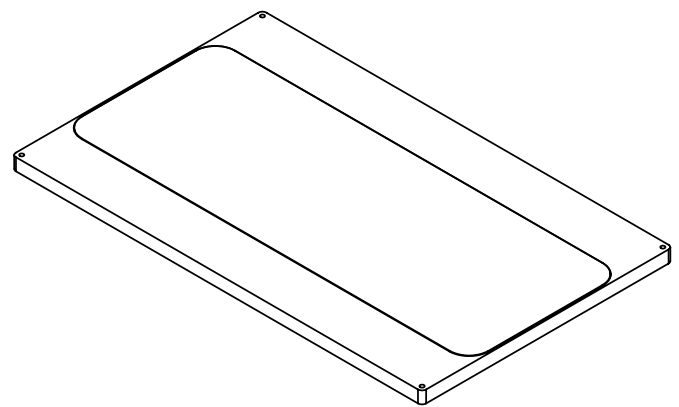
MODEL: 4SA17-55H/981

FREQUENCY:	5.250 - 5.825 GHz	GAIN:	4 x 17 dBi Nominal
POLARISATION:	Linear (Horizontal)	BEAMWIDTH:	55° (Azimuth) x 7° (Elevation)
CROSS POLAR:	20 dB Minimum	VSWR:	1.5:1
POWER RATING:	4 x 10 W	FRONT TO BACK:	40 dB
TEMPERATURE:	-20°C to +50°C	MASS:	4.1 Kg / 9.0 lbs
FINISH:	Gloss White ABS, Alocrom 1200	WIND LOADING:	24.6 Kg / 54.3 lbs @ 100 mph

PLAN VIEW



REAR VIEW



MOUNTING VIA 4 x ϕ 4.5 HOLES

ISOMETRIC VIEW

DIMENSIONS: mm (inches)

GA: 0981-1 Issued:160703

EUROPEAN ANTENNAS LTD.

Tel: +44 (0)1638 731888
Fax: +44 (0)1638 731999

LAMBDA HOUSE, CHEVELEY
NEWMARKET, SUFFOLK, CB8 9RG,
UNITED KINGDOM

E-Mail: sales@european-antennas.co.uk
Website: www.european-antennas.co.uk