



EUROPEAN ANTENNAS

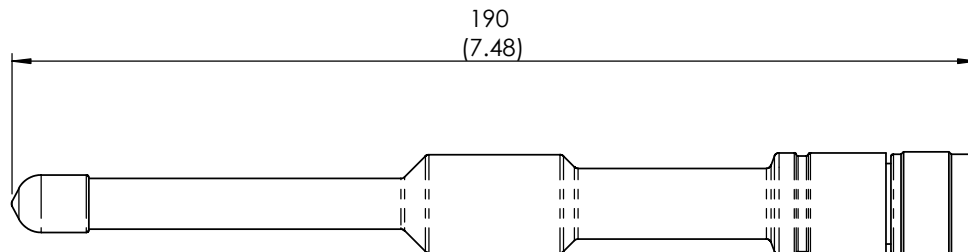
Excellence through design
Creative in concept

FLEXIBLE DIPOLE ANTENNA

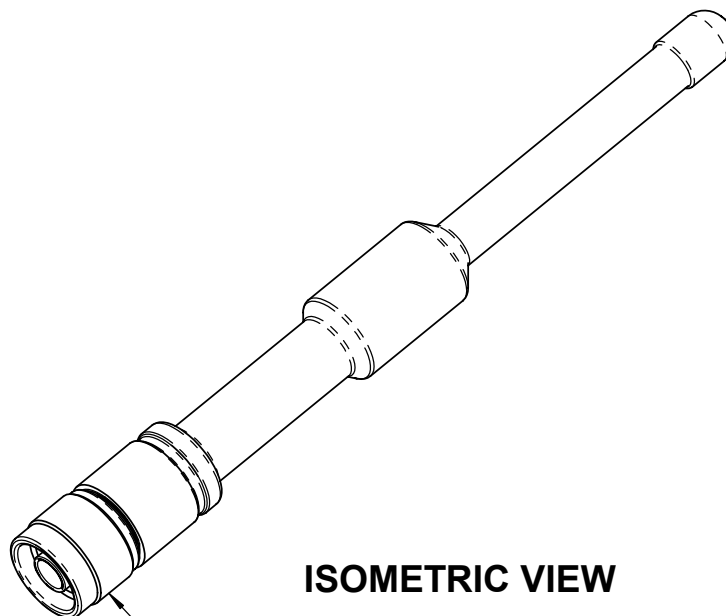
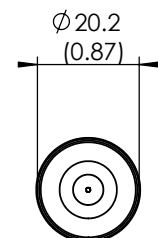
MODEL: FVD2-2600-D2/836

FREQUENCY:	2.50 - 2.70 GHz	GAIN:	2 dBi Nominal
POLARISATION:	Linear (Vertical)	BEAMWIDTH:	360° (Az) x 80° (El)
CROSS POLAR	15 dB Nominal	VSWR:	2.0:1 Maximum
POWER RATING:	25 W	FRONT TO BACK:	N/A
TEMPERATURE:	-20° to +50°C	MASS:	100g / 3.6 oz
FINISH:	Matt Black	WIND LOADING:	0.8 Kg / 1.8 lbs @ 100 mph

SIDE VIEW



END VIEW



ISOMETRIC VIEW

N(M) CONNECTOR

DIMENSIONS: mm (inches)

GA: 0836-2 Issued: 200503

EUROPEAN ANTENNAS LTD.

Tel: +44 (0)1638 731888
Fax: +44 (0)1638 731999

LAMBDA HOUSE, CHEVELEY
NEWMARKET, SUFFOLK, CB8 9RG,
UNITED KINGDOM

E-Mail: sales@european-antennas.co.uk
Website: www.european-antennas.co.uk

European Antennas Ltd. has a policy of continuous development and therefore stress that the data contained on this sheet should be used for guidance only.