



EUROPEAN ANTENNAS

Excellence through design
Creative in concept

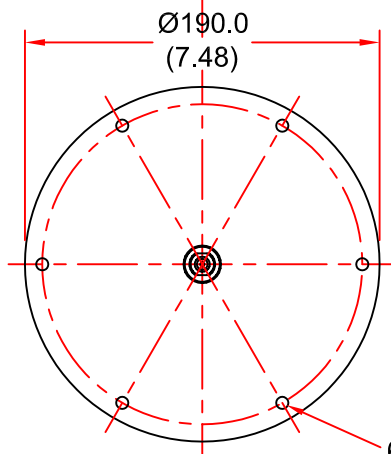
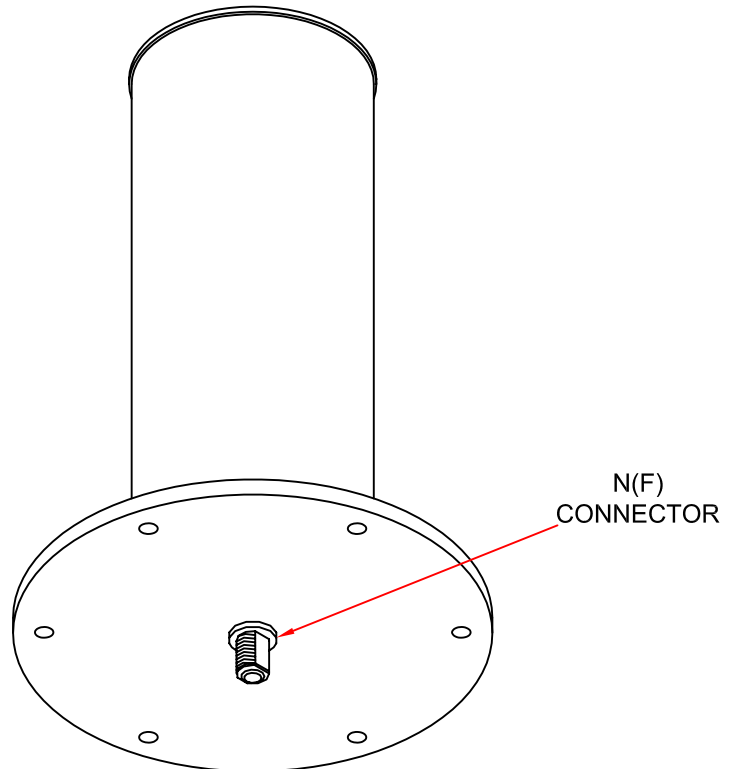
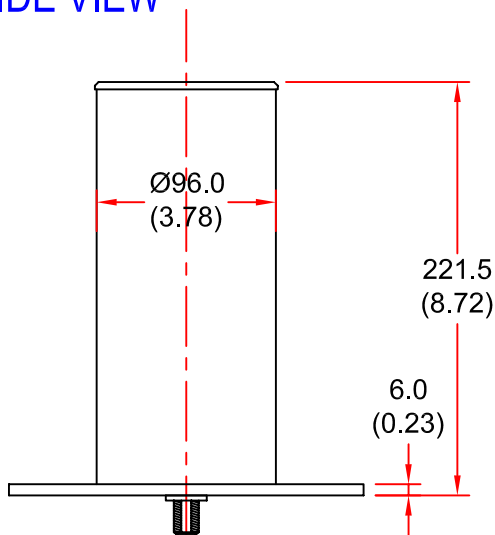


CIRCULAR POLARISED OMNI ANTENNA

MODEL: LCO6-4600/875

FREQUENCY:	4.4 - 4.8 GHz	GAIN:	6.5 dBiC Peak
POLARISATION:	Left Hand Circular	HPBW:	360° x 22° Approx
TEMPERATURE:	-20°C to +50°C	VSWR:	1.5 : 1 Typ / 1.7:1 Max
RADOME:	Glass Fibre/Gloss White	MASS:	0.9 Kg/1.98 lbs

SIDE VIEW



BOTTOM VIEW

ISOMETRIC VIEW

DIMENSIONS: mm (inches)

GA 0875-1 Issued 031201

EUROPEAN ANTENNAS LTD.

LAMBDA HOUSE, CHEVELEY,
NEWMARKET, SUFFOLK, CB8 9RG,
UNITED KINGDOM.

TEL: +44 (0)1638 731888

FAX: +44 (0)1638 731999

E-Mail: sales@european-antennas.co.uk

Website: www.european-antennas.co.uk