



EUROPEAN ANTENNAS

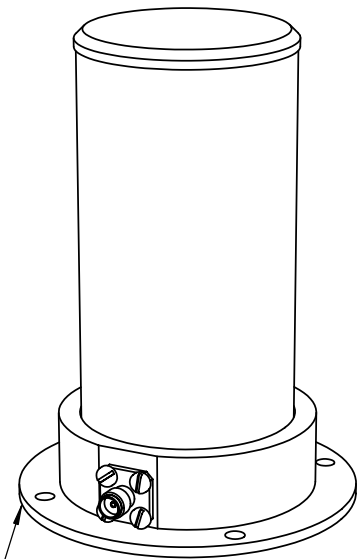
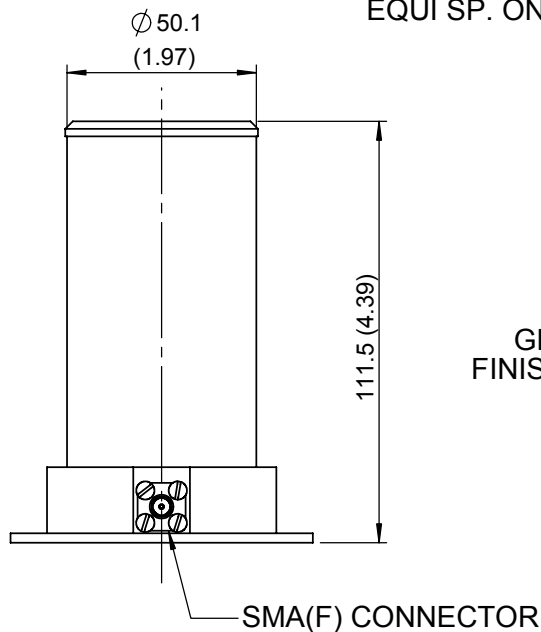
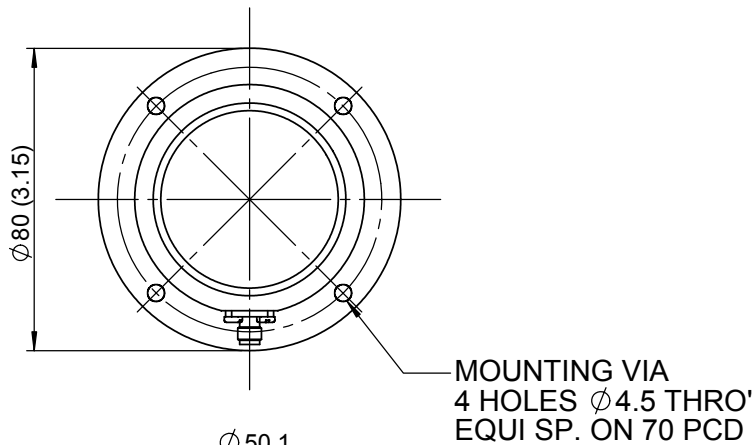
Excellence through design
Creative in concept

SECTOR ANTENNA

MODEL: SA6-180-58R-UT20/881

FREQUENCY:	5.7 - 5.9 GHz	GAIN:	6 dBiC
POLARISATION:	R.H. Circular	BEAMWIDTH:	180° (Az.) x 30° (El.) Approx.
AXIAL RATIO:	5 dB Typical	VSWR:	1.5 : 1 Maximum
ELECTRICAL TILT:	20° Up	FRONT TO BACK:	15 dB Minimum
POWER RATING:	10 W	MASS:	230g / 8.1 oz
TEMPERATURE:	-35° to +52°C	WIND LOADING:	0.9 Kg / 2.0 lbs @ 100 mph

TOP VIEW



PICTORIAL VIEW

SIDE VIEW

DIMENSIONS: mm (inches)	L
GA: 0881-1	Issued: 170103

EUROPEAN ANTENNAS LTD.

Tel: +44 (0)1638 731888
Fax: +44 (0)1638 731999

LAMBDA HOUSE, CHEVELEY
NEWMARKET, SUFFOLK, CB8 9RG,
UNITED KINGDOM

E-Mail: sales@european-antennas.co.uk
Website: www.european-antennas.co.uk