



EUROPEAN ANTENNAS

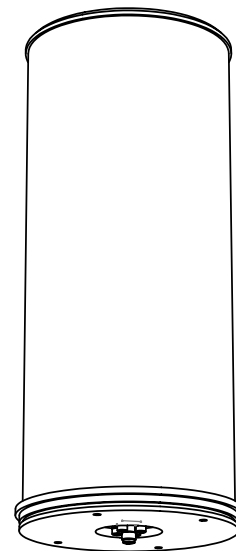
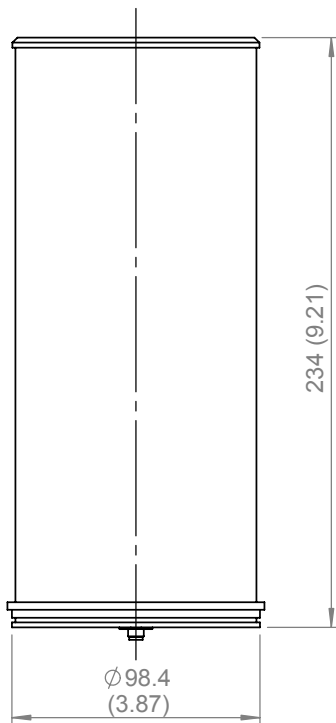
Excellence through design
Creative in concept

CIRCULAR POLARISED OMNI ANTENNA

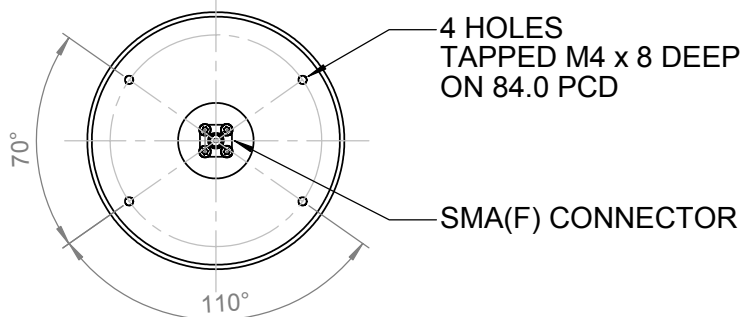
MODEL: LCO5-3450-D1/996

FREQUENCY:	3.4 - 3.5 GHz	GAIN:	4 dBiC Nominal
POLARISATION:	L.H Circular	BEAMWIDTH:	360°(Az.) x Approx. 50°(El.)
AXIAL RATIO:	3 dB Typical	VSWR:	1.5 : 1
POWER RATING:	10 W	FRONT TO BACK:	N/A
TEMPERATURE:	-20° to +50°C	MASS:	0.8Kg / 1.75lbs
FINISH:	Matt Black / Alocrom Base	WIND LOADING:	3.6 Kg / 8.0 lbs @ 100 mph

SIDE VIEW



PICTORIAL VIEW



4 HOLES
TAPPED M4 x 8 DEEP
ON 84.0 PCD

SMA(F) CONNECTOR

END VIEW

DIMENSIONS: mm (inches) L
GA: 0996-1 Issued: 171202

EUROPEAN ANTENNAS LTD.

Tel: +44 (0)1638 731888
Fax: +44 (0)1638 731999

LAMBDA HOUSE, CHEVELEY
NEWMARKET, SUFFOLK, CB8 9RG,
UNITED KINGDOM

E-Mail: sales@european-antennas.co.uk
Website: www.european-antennas.co.uk