



# EUROPEAN ANTENNAS

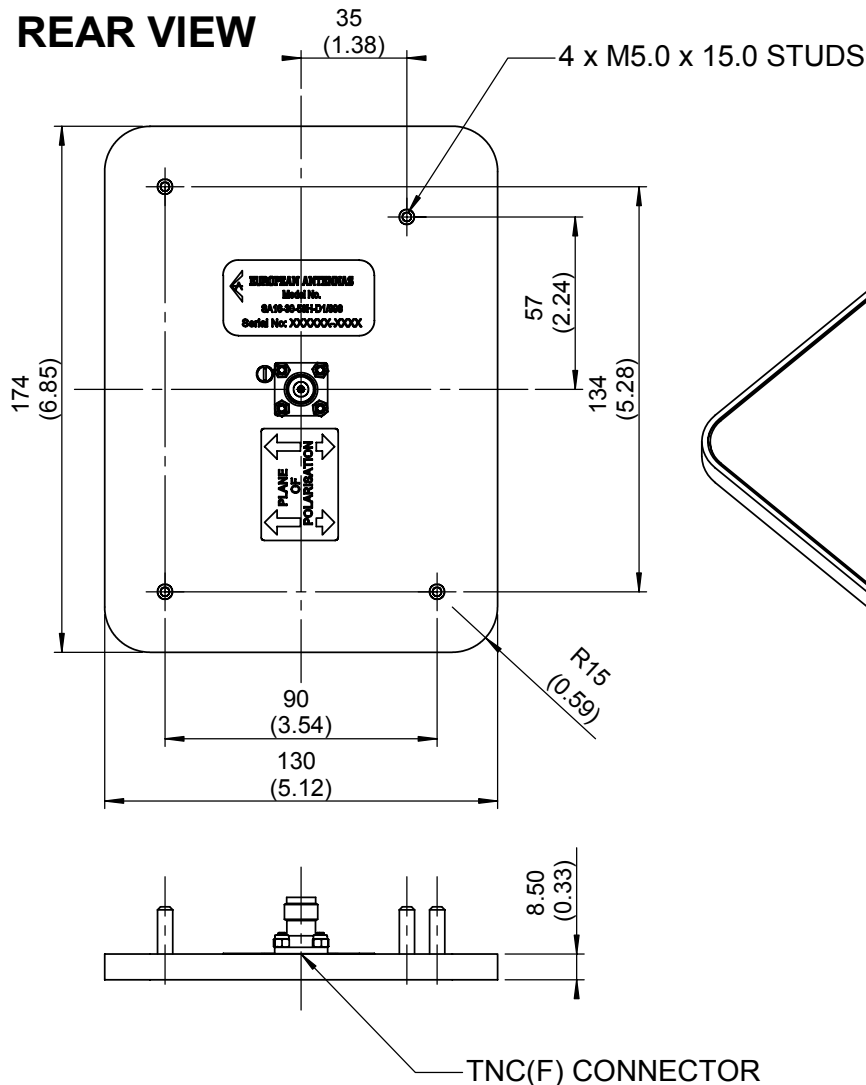
Excellence through design  
Creative in concept

## SECTOR ANTENNA

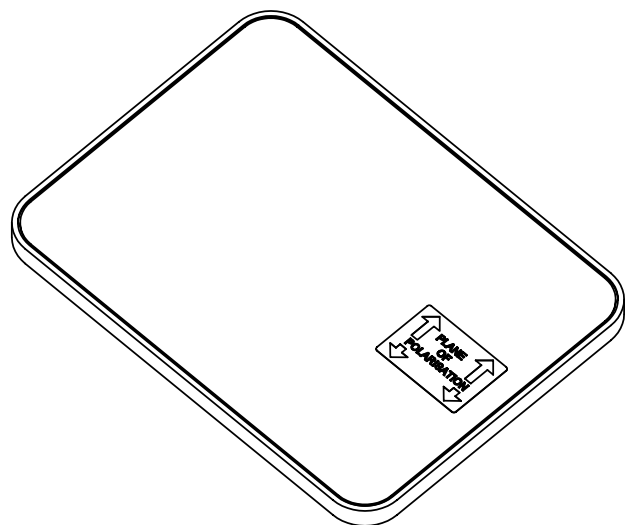
### MODEL: SA16-30-58H-D1/998

<b>FREQUENCY:</b>	5.725 - 5.850 GHz	<b>GAIN:</b>	16 dBi Minimum
<b>POLARISATION:</b>	Linear (Horizontal)	<b>BEAMWIDTH:</b>	30° Azimuth x 20° Elevation
<b>CROSS POLAR:</b>	20 dB Minimum	<b>VSWR:</b>	2:1
<b>POWER RATING:</b>	10 W	<b>FRONT TO BACK:</b>	30 dB Minimum
<b>TEMPERATURE:</b>	-20° to +70°C	<b>MASS:</b>	330 g / 0.73 lbs
<b>FINISH:</b>	Gloss white all over	<b>WIND LOADING:</b>	3.7 Kg / 8.07 lbs @ 100 mph

### REAR VIEW



### END VIEW



### ISOMETRIC VIEW

DIMENSIONS: mm (inches)	M
GA:998 - 1	Issued: 281002

EUROPEAN ANTENNAS LTD.

Tel: +44 (0)1638 731888  
Fax: +44 (0)1638 731999

LAMBDA HOUSE, CHEVELEY  
NEWMARKET, SUFFOLK, CB8 9RG,  
UNITED KINGDOM

E-Mail: sales@european-antennas.co.uk  
Website: www.european-antennas.co.uk