

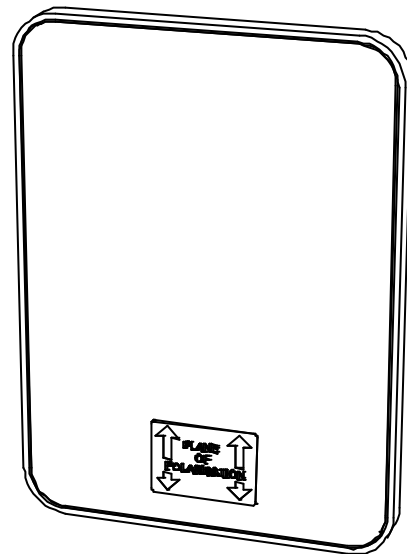
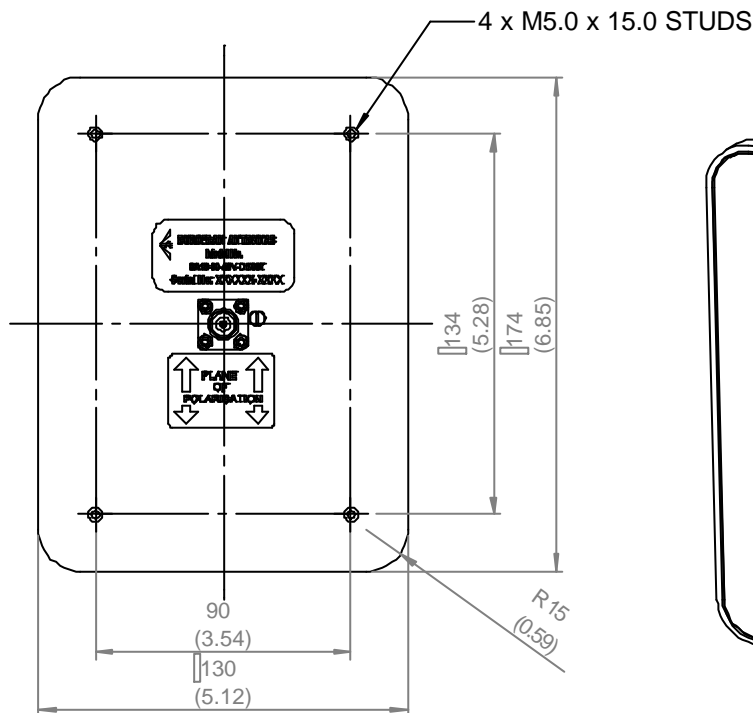


SECTOR ANTENNA

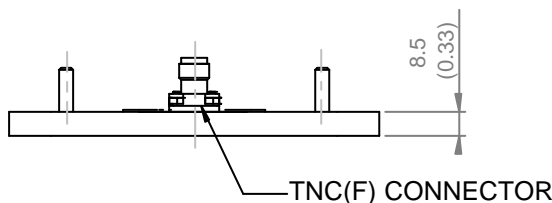
MODEL: SA16-30-58V-D1/997

FREQUENCY:	5.725 - 5.850 GHz	GAIN:	17 dBi Minimum
POLARISATION:	Linear (Vertical)	BEAMWIDTH:	30° (Azimuth) x 15° (Elevation)
CROSS POLAR:	20 dB Minimum	VSWR:	2:1
POWER RATING:	10 W	FRONT TO BACK:	35 dB Typical
TEMPERATURE:	-20° to +70°C	MASS:	320 g / 0.70 lbs
FINISH:	Gloss white all over	WIND LOADING:	3.7 Kg/8.07 lbs @ 100 mph

REAR VIEW



PICTORIAL VIEW



END VIEW

DIMENSIONS: mm (inches)
GA:997-1 Issued:210602

EUROPEAN ANTENNAS LTD.

Tel: +44 (0)1638 731888
Fax: +44 (0)1638 731999

LAMBDA HOUSE, CHEVELEY
NEWMARKET, SUFFOLK, CB8 9RG,
UNITED KINGDOM

E-Mail: sales@european-antennas.co.uk
Website: www.european-antennas.co.uk

European Antennas Ltd. has a policy of continuous development and therefore stress that the data contained on this sheet should be used for guidance only.